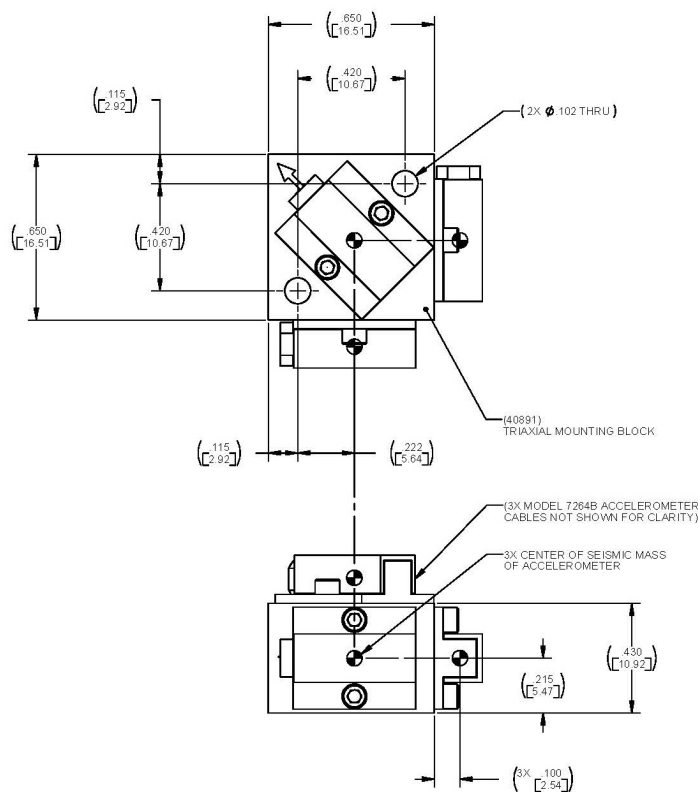
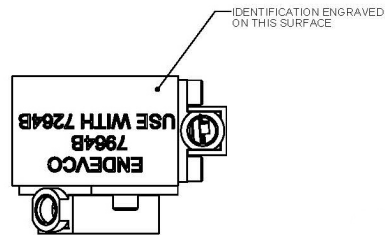


Triaxial mounting block 7964B

Accessory



Mounts with provided 2-56 screws, includes 0-80 threaded holes for accelerometer screws.

Specifications

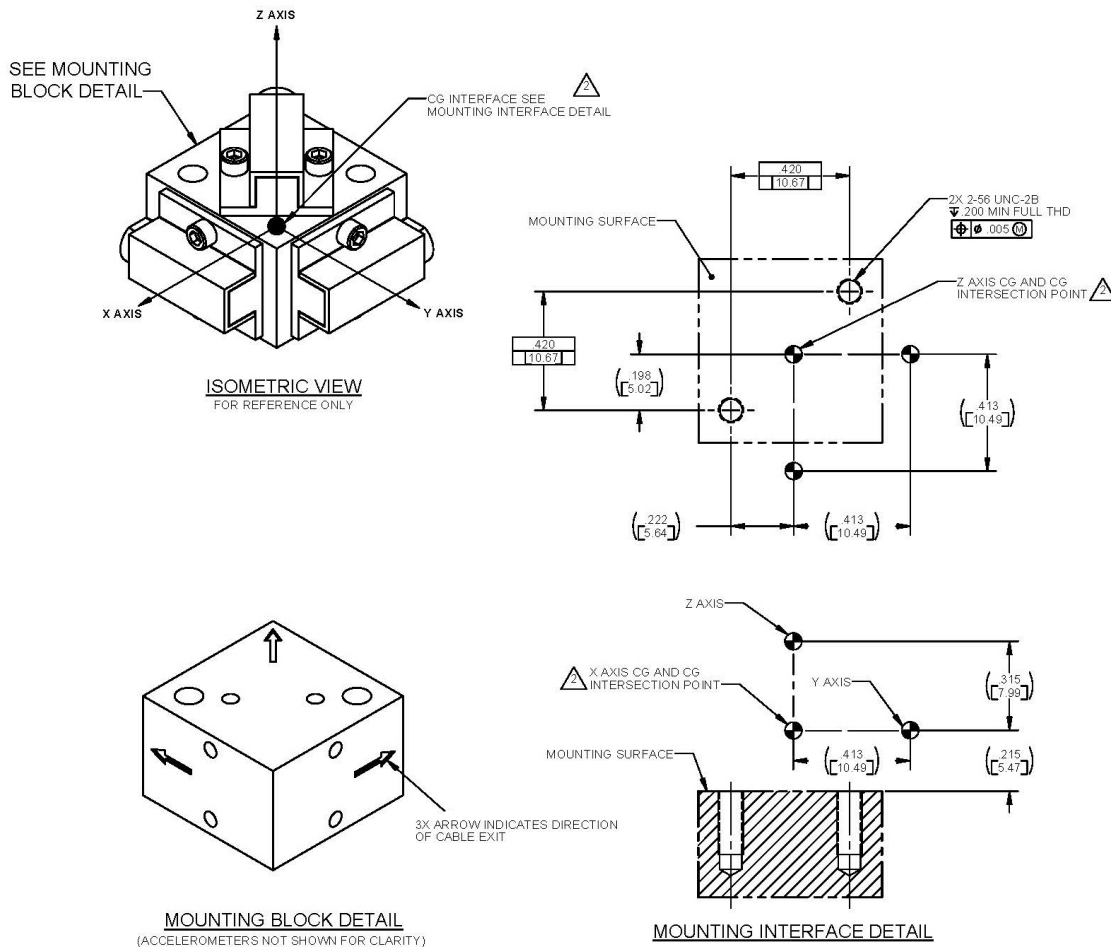
Dimensions mm (in)	16.51 x 16.51 x 10.92 (0.650 x 0.650 x 0.430)
Material	Aluminum alloy 7075-T6, red hard anodized
Weight	7.9 grams

Key features

- Compatible with 7264B

Triaxial mounting block 7964B

Accessory



Contact

ENDEVCO
www.endevco.com
 Tel: +1 (866) ENDEVCO
 [+1 (866) 363-3826]

Accessories

Product	Description	7964B
EH491	2-56 screws, 9-16 length (x2)	Included
EHM128	Washers (x2)	Included
EHM178	Hex wrench	Included