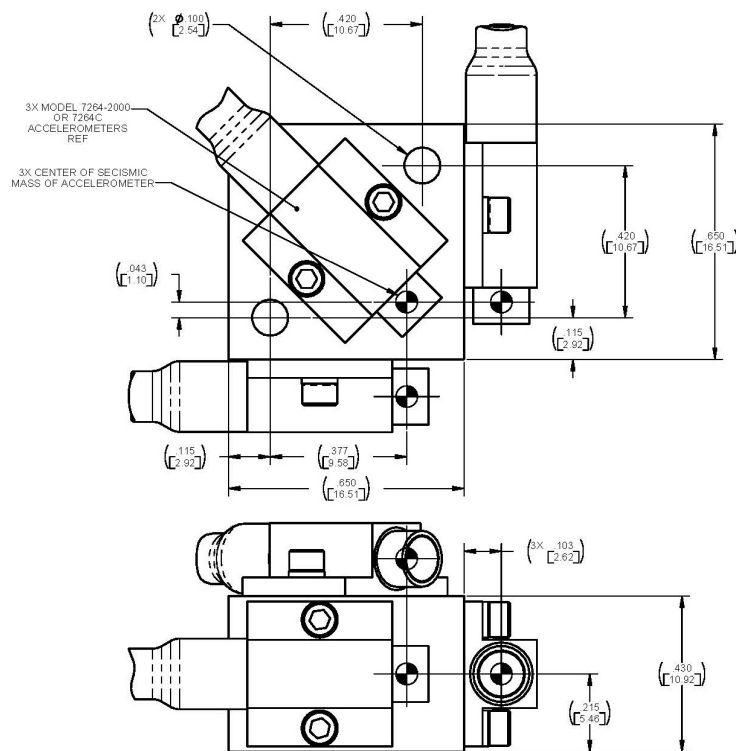
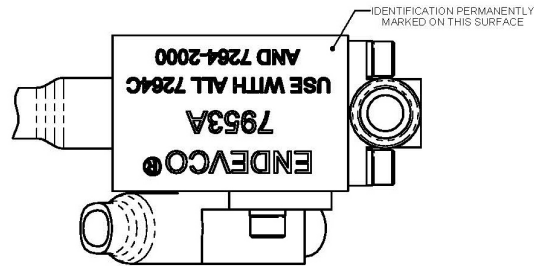


Accessory

Triaxial mounting block 7953A



Mounts with provided 2-56 screws, includes 0-80 threaded holes for accelerometer screws.

Specifications

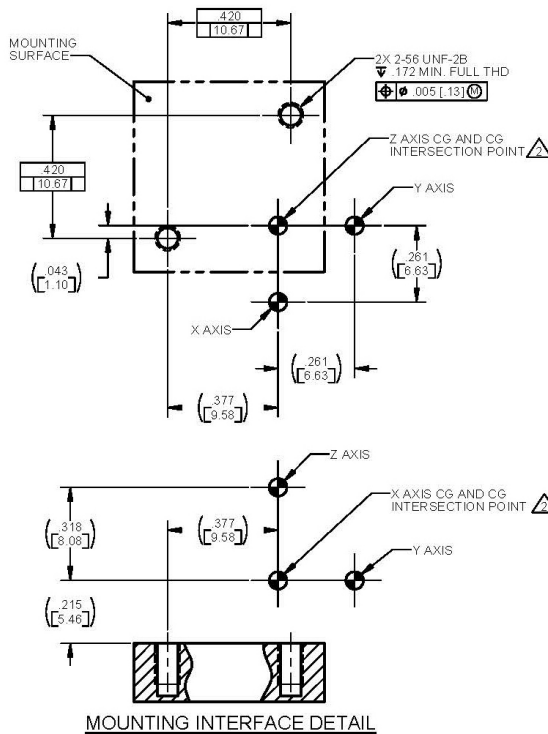
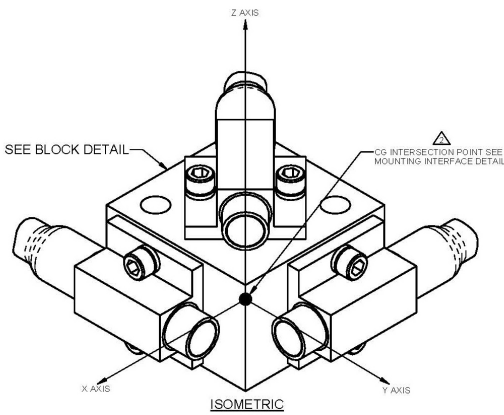
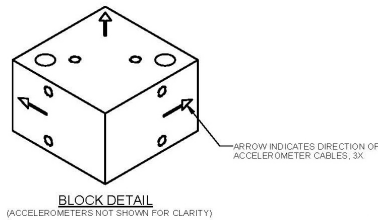
Dimensions mm [in]	16.51 x 16.51 x 10.92 [0.650 x 0.650 x 0.430]
Material	Magnesium alloy
Weight	5.1 grams

Key features

- Compatible with 7264-2000, 7264C, 7264D, 7264H, 726C and 757F
- Lightweight magnesium alloy

Accessory

Triaxial mounting block 7953A



Accessories

Product	Description	7953A
EH491	2-56 screws, 9-16 length (x2)	Included
EHM128	Washers (x2)	Included
EHM178	Hex wrench	Included

Notes:

1. Maintain high levels of precision and accuracy using Endevco's factory calibration services. Call Endevco's inside sales force at 866-ENDEVCO for recommended intervals, pricing and turn-around time for these services as well as for quotations on our standard products.

Contact

ENDEVCO
www.endevco.com
 Tel: +1 (866) ENDEVCO
 [+1 (866) 363-3826]