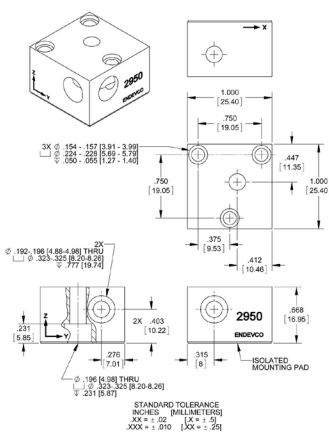
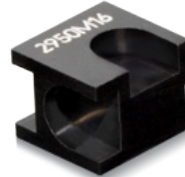
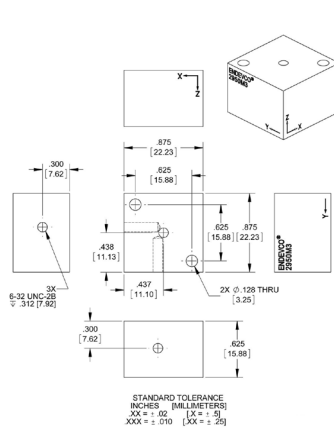


2950 Triaxial mounting blocks

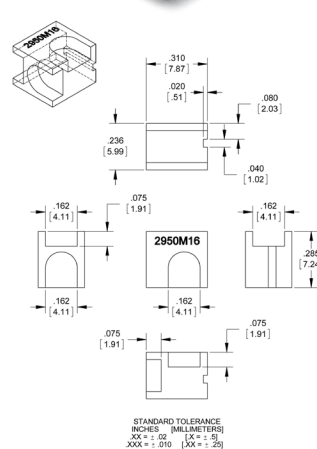
for PE and Isotron accelerometers



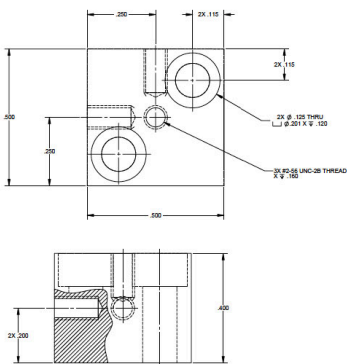
2950



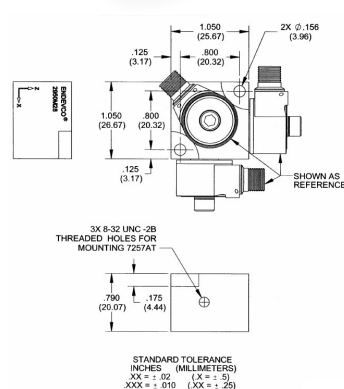
2950M3



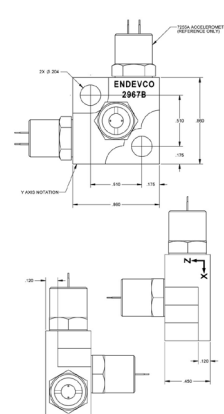
2950M16



2950M18



2950M28



2967B

Key features

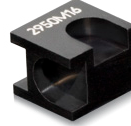
- Compatible with Endevco brand accelerometers
- Adhesive and screw mounting
- Precision machined for maximum transmissibility
- Mounting hardware provided

Our measurement product competencies:

Piezoelectric accelerometers | Piezoresistive accelerometers | Isotron accelerometers | Variable capacitance accelerometers | Pressure transducers | Acoustic sensors | Electronic instruments | Calibration systems | Shakers | Modal hammers | Cable assemblies

2950 Triaxial mounting blocks

for PE and Isotron accelerometers



	2950	2950M3	2950M16	2950M18
Description	Triaxial mounting block, 10-32 threaded holes, 4-40 x 3 screw mount provided	Triaxial mounting block 6-32 threaded holes 4-40 x 7/8 screw mount provided	Triaxial mounting block Adhesive mount	Triaxial mounting block 2-56 threaded holes 4-40 x 1/2 screw mount provided
Compatibility	Accelerometers with 10-32 stud	2221D, 2221F, 7221A, 7251A	25A, 25B	2220E, 7250A, 7250AM1
Mounting torque	18 lbf-in	10 lbf-in	N/A	5 lbf-in
Material	Anodized aluminum	Anodized aluminum	Anodized aluminum	Anodized aluminum
Flatness TIR	0.0005	0.0005	0.001	
Weight grams	20.5	20.5	0.5	3.7
Isolated	Yes	Yes	Yes	Yes
Max temp °C	177	177	125	177



	2950M28	2967B
Description	Triaxial mounting block 8-32 threaded holes 6-32 x 7/8 screw mount provided	Triaxial mounting block 1/4-28 threaded holes 10-32 x 3/8 screw mount provided
Compatibility	7257AT	7555A, 2255B
Mounting torque	10 lbf-in	30 lbf-in
Material	Anodized aluminum	Titanium
Flatness TIR	0.0005	0.0005
Weight grams		
Isolated	Yes	No
Max temp °C	177	125

Contact

Endevco
Tel: +1 (866) 363-3826
www.endevco.com

Notes

1. Mounting screws supplied, where applicable.
2. Mounting tools supplied for 2950M3.
3. Removal tool supplied for adhesive mount 2950M16.
4. Maintain high levels of precision and accuracy using Meggitt's factory calibration services. Call Endevco's inside sales force at 800-982-6732 for recommended intervals, pricing and turn-around time for these service as well as quotations for other products.



Continued product improvement necessitates that Endevco reserve the right to modify these specifications without notice. Endevco maintains a program of con-stant surveillance over all products to ensure a high level of reliability. This program includes attention to reliability factors during product design, the support of stringent Quality Control requirements, and compulsory corrective action procedures. These measures, together with conservative specifications have made the name Endevco synonymous with reliability.

ENDEVCO www.endevco.com Tel: +1 (866) 363-3826