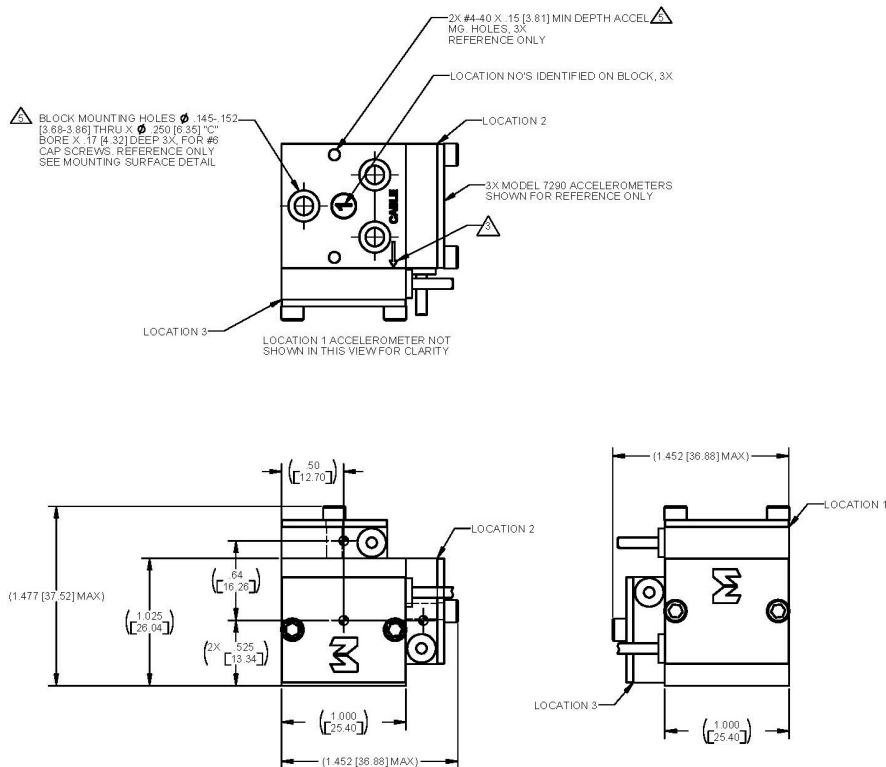


# Triaxial mounting block

## Model 7990



### Key features

- Compatible with 7290D, 7290G, 7290GM5 and PCB Model 3741F

### Description

Mounts with provided 6-32 screws, includes 4-40 threaded holes for accelerometer screws.

# Triaxial mounting block | Model 7990

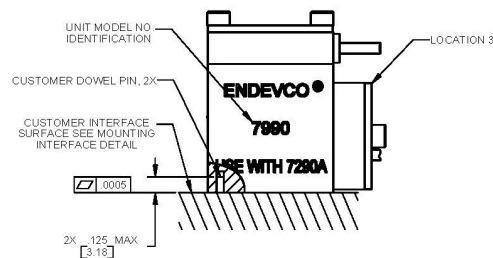
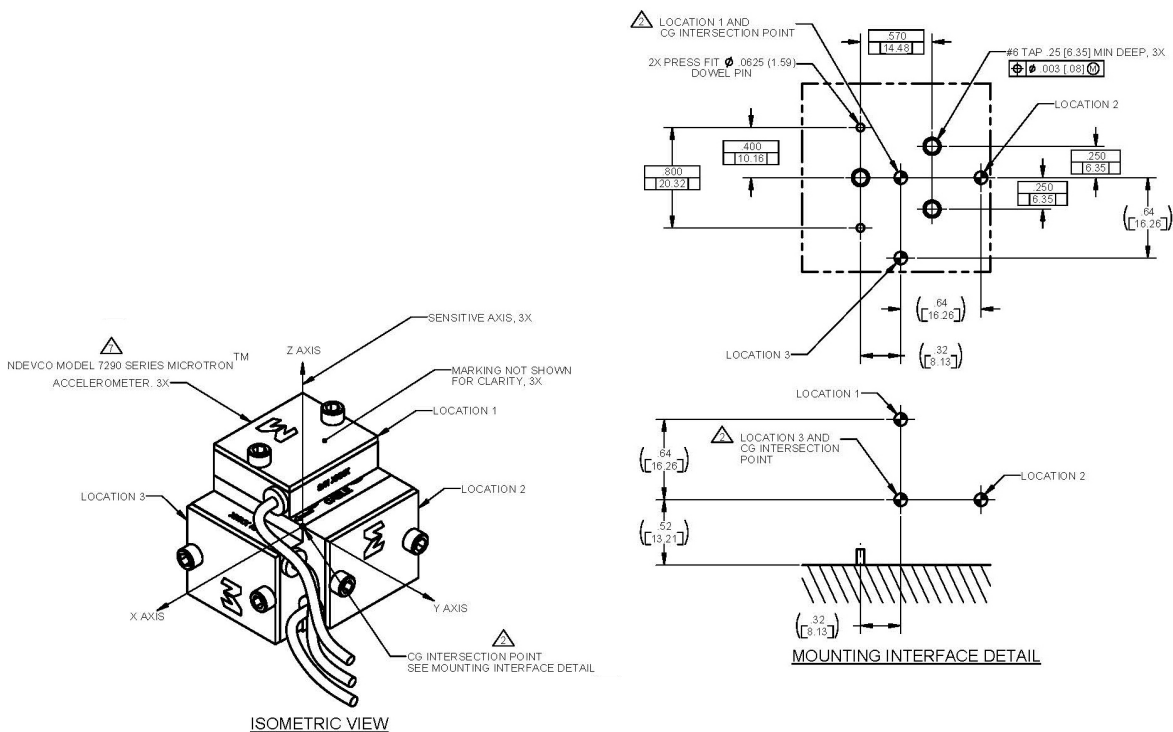
## Specifications

### Physical characteristics

Dimensions mm (in)	26.04 x 25.40 x 25.40 (1.025 x 1.0 x 1.0)
Material	Aluminum alloy, hard anodized
Weight	37.6 grams

## Accessories

Options	Description	7990
EH529	6-32 screws (x3)	Included
EHM49	Hex wrench	Included



10869 NC Highway 903, Halifax, NC 27839 USA

endevco.com | sales@endevco.com | 866 363 3826

© 2022 PCB Piezotronics - all rights reserved. PCB Piezotronics is a wholly-owned subsidiary of Amphenol Corporation. Endevco is an assumed name of PCB Piezotronics of North Carolina, Inc., which is a wholly-owned subsidiary of PCB Piezotronics, Inc. Accumetrics, Inc. and The Modal Shop, Inc. are wholly-owned subsidiaries of PCB Piezotronics, Inc. IMI Sensors and Larson Davis are Divisions of PCB Piezotronics, Inc. Except for any third party marks for which attribution is provided herein, the company names and product names used in this document may be the registered trademarks or unregistered trademarks of PCB Piezotronics, Inc., PCB Piezotronics of North Carolina, Inc. (d/b/a Endevco), The Modal Shop, Inc. or Accumetrics, Inc. Detailed trademark ownership information is available at [www.pcb.com/trademarkownership](http://www.pcb.com/trademarkownership).