

PERFORMANCE SPECIFICATION  
CABLE ASSEMBLY, VERSAFLEX  
(MODEL 3027AM14-ZZZ)

Document Number	Rev	Date	Entered by	Description of Change	Change Accountable Engineer	ECO
EDVPS30 27AVM14	B	06/25/20	LMK	Corrected Vendor connector part number	DM	50881

1.0 **DESCRIPTION**

The ENDEVCO® Model 3027AVM14 is a cable assembly designed to mate with triaxial ISOTRON® accelerometers. One end of the cable assembly features a 4-socket plug while the other end is open. The cable assembly is rated to 392°F (200°C) and features “VersaFLEX” cable.

All values taken at room ambient temperature, approximately 75°F (24°C).

2.0 **ELECTRICAL CHARACTERISTICS**

Units

2.1 CAPACITANCE

2.1.1 Conductor to Conductor                      pF/ft                      16, typical

2.2 RESISTANCE

2.2.1 Conductor    Ω/ft                      0.3, typical

2.2.2 Insulation    GΩ                      1, minimum

3.0 **PHYSICAL CHARACTERISTICS**

3.1 LAYOUT

See Outline Drawing, Figure 1

3.2 CONNECTOR

3.2.1 Transducer end

Open

3.2.2 Instrumentation end

3.2.2.1 4-socket plug

Reichenbach #MTS04-215WH4

3.3 CABLE

3.3.1 Jacket

3.3.1.1 Material

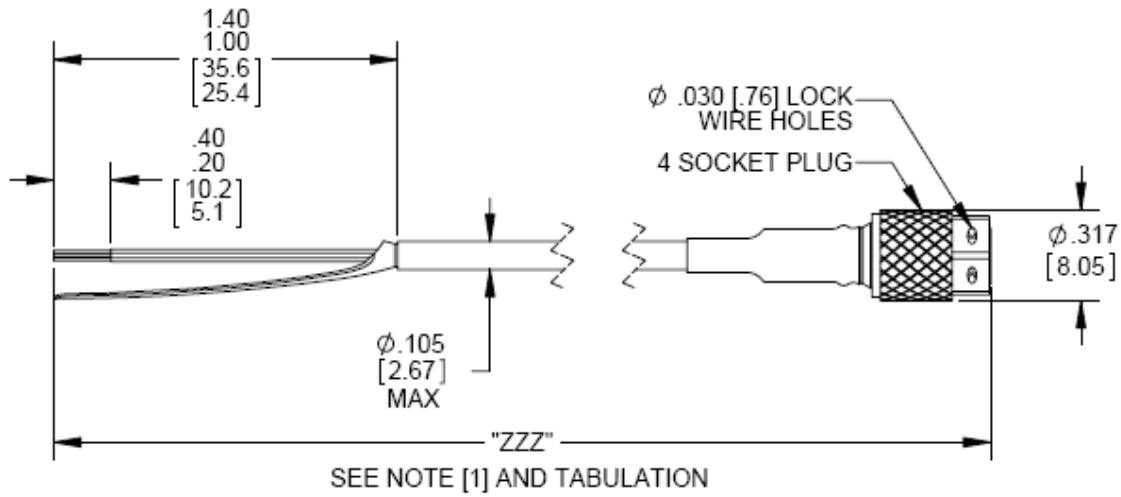
PFA Teflon

		<u>Units</u>	
3.0	<b><u>PHYSICAL CHARACTERISTICS (Cont'd)</u></b>		
3.3.1.2	Color		"Translucent" Red
3.3.2	Shield		
3.3.2.1	Material		Silver Plated Copper
3.3.2.2	Size		40 AWG
3.3.3	Conductor		
3.3.4	Insulation Material		PFA Teflon
3.3.4.1	Color (s)		White, Green, Red and Black
3.3.4.2	Size		28 AWG
3.3.4.3	Strands		
3.3.4.3.1	Material		Silver Plated Copper
3.3.4.3.2	Number		19
3.3.4.3.3	Size		40 AWG
3.4	LENGTH [1]	in [mm]	See Tabulation
3.5	TENSILE STRENGTH		
3.5.1	Cable pull out	lb	20 typical; 15 minimum
4.0	<b><u>ENVIRONMENTAL CHARACTERISTICS</u></b>		
4.1	TEMPERATURE	°F (°C)	-148°F to +392°F (-100°C to 200°C)
4.2	SINUSOIDAL VIBRATION	g	1000, maximum
4.3	SHOCK	g	10,000, maximum

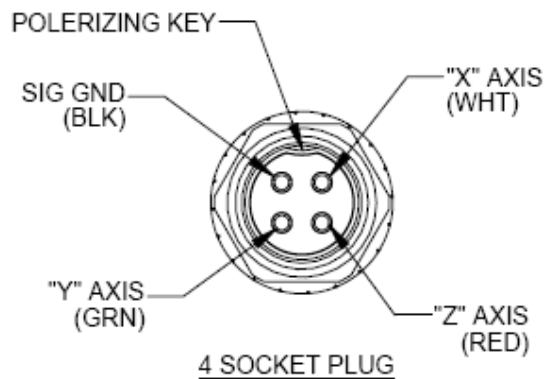
NOTES:

[1] Cable length, in inches, is specified by a model number suffix. A 120 inch cable, Model 3027AM14-120, is standard. Varied lengths are also available on special order.

FIGURE 1



TABULATION	
LENGTH	TOLERANCE
UP TO 12 (304.8)	+1.0 (25.4)
>12 (304.8) TO 36 (914.4)	+2.0 (50.8)
>36 (914.4) TO 120 (3.05M)	+4.0 (101.6)
>120 (3.05M)	+4.0 (101.6) PER 120 OR PORTION THEREOF



STANDARD TOLERANCE  
INCHES (MILLIMETERS)

.XX = ± .03	(.X = ± .8)
.XXX = ± .010	(.XX = ± .25)

SOL