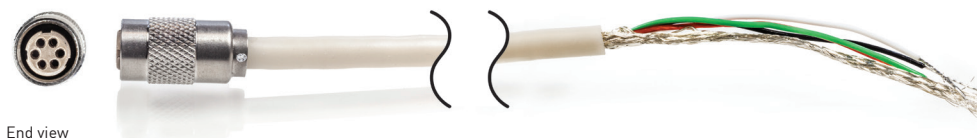
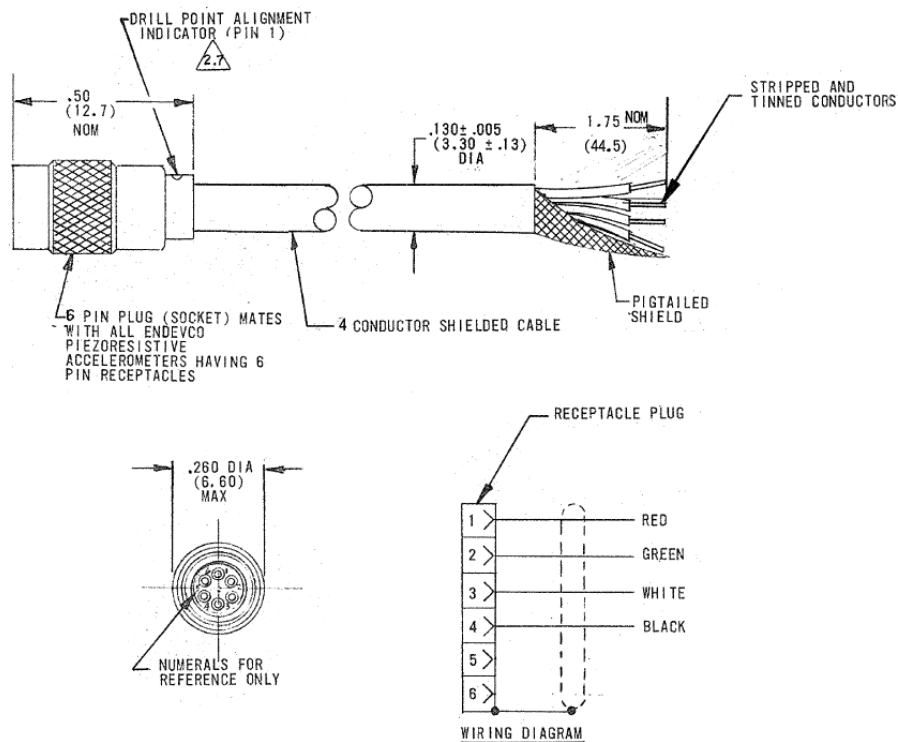


Four-conductor shielded cable assembly Model 3022B



End view



Key features

- Mates with the model 2262A Accelerometer
- Flexible silicone jacket

Endevco's model 3022B cable assembly is a four conductor, shielded cable with a miniature plug (6 pin plug with 4 pins electrically connected) that mates with Endevco's model 2262A accelerometer. The opposite end of the cable is terminated with pre-tinned pigtails. The silicone jacket provides for optimum flexibility along with high reliability. The shield connects to the case of the accelerometer.

The connector is designed so the threads will not engage if the cable's connector is not in alignment with the keyway. A permanent mark, on the connector identifies pin 1.

Four-conductor shielded cable assembly

Model 3022B

Specifications

All specifications are typical and taken at 75°F (24°C) unless otherwise noted.

Characteristics	Units	3022B
Connector		
Connector 1, Transducer end		6-pin connector(4 pins wired to conductors)
Socket material		Gold plated
Connector material		Passivated stainless steel
Dielectric material		Glass with reinforced diallyl phthalate
Torque	in-lbs	Finger tight to approximately 2 (0.23)
Lock wire holes		No
Connector 2, Instrumentation end		Pigtails
Cable		
Color (1)		Natural
Outer jacket		Silicone rubber
Conductors		4
Conductor material		7/38 AWG, Silver plated copper
Conductor size	AWG	30
Primary insulation		Teflon
Cable type		4 conductor, shielded
Diameter	in (mm)	0.130 (6.60)
Shield material		Braided silver plated annealed copper wire
Cable weight	gms/ft	2.75
Bend radius	in (mm)	1.3 (66)
Raw cable part number		PN 12334
Environmental Characteristics		
Minimum temperature	°F (°C)	-100 (-73)
Maximum temperature	°F (°C)	250 (121)
Shock	g peak	10 000
Sinusoidal vibration	g peak	10
Electrical		
Insulation resistance	G Ω	10, min
Resistance	Ω/ft.	0.1

Four-conductor shielded cable assembly Model 3022B

Length tolerance tabulation

Length inches (millimeters)	Tolerance inches (millimeters)
Up to 12 (304.8)	+ 1.0 (25.4)
13 to 36 (330.2 to 914)	+ 2.0 (50.8)
37 to 120 (939.8 to 3.05 meters)	+ 4.0 (101.6)
Over 120 (3.05 meters)	+4 (101.6) per 120 (3.05) or part thereof (+12 (3.05) = maximum tolerance)

Notes

1. Small color variations may occur during normal batch processing, but have no impact on product performance.

Ordering information

1. Specify 3022B-XXX where XXX = cable assembly length in inches
2. Maintain high levels of precision and accuracy using Endevco's factory calibration services. Call Endevco's inside sales force at 866-ENDEVCO for recommended intervals, pricing and turn-around time for these services as well as for quotations on our standard products.

Contact

ENDEVCO

www.endevco.com

Tel: +1 (866) ENDEVCO

[+1 (866) 363-3826]