

Endevco®

**INSTRUCTION MANUAL**  
**Model 136**  
**DC AMPLIFIER**

Legacy Product Not For Sale

**IM136**  
**Revision F2**

**MODEL 136 DC AMPLIFIER  
INSTRUCTION MANUAL**

**TABLE OF CONTENTS**

<b><u>SECTION 1: GENERAL DESCRIPTION</u></b>		<b><u>PAGE</u></b>
1.1	INTRODUCTION .....	2
1.2	DESCRIPTION .....	3
1.3	FUNCTIONAL CHARACTERISTICS.....	3
1.4	KEY FEATURES .....	3
<b><u>SECTION 2: INSTALLATION, FRONT AND REAR PANEL DESCRIPTION AND OPERATION</u></b>		
2.1	INSTALLATION .....	4
2.2	FRONT PANEL DESCRIPTION .....	5
2.3	REAR PANEL DESCRIPTION .....	6
2.4	OPERATION.....	12
2.4.1	Channel Selection .....	12
2.4.2	Normal Mode .....	12
2.4.3	Query/Programming Mode .....	13
2.4.4	Function Selection .....	13
2.4.5	Excitation Voltage.....	14
2.4.6	Sensor Sensitivity .....	14
2.4.7	Output Scaling .....	14
2.4.8	Low Pass Filter .....	15
2.4.9	Auto Zero .....	15
2.4.10	Shunt Calibration .....	15
2.4.11	Monitoring State.....	16
2.4.12	Special Modes .....	17
2.4.13	Fault Indication .....	20
2.4.14	RS-232 Operation.....	20
2.4.15	Filter Options and Installation .....	20
2.4.16	Sample Set Up.....	21
2.5	RACK MOUNTING KIT.....	23
<b><u>SECTION 3: ROUTINE MAINTENANCE AND HANDLING</u></b>		
3.1	INTRODUCTION .....	24
3.2	FACTORY SERVICE.....	24
3.3	ORDERING INFORMATION AND ACCESSORIES.....	25
3.4	MANUAL CALIBRATION PROCEDURE.....	26
<b><u>SECTION 4: APPENDIX</u></b>		
1.	Model 31875-XXXX-O Filter Data Sheet .....	29
2.	Serial Communication .....	30
3.	Operation with Low Sensitivity Sensors.....	35
<b><u>LIST OF FIGURES</u></b>		
FIGURES		
1.	Front Panel .....	5
2.	Rear Panel (AC Input power) .....	6
3.	Rear Panel (DC Input power) .....	7
4.	Block Diagram, Model 136 .....	7
5.	RS-232 Serial Communication Block Diagram .....	8
6.	RJ-11 Mod Jack, Front view .....	9
7.	9 Pin "D" Input Connector Pin Assignment.....	9
8.	Typical Bridge Connection without Remote Sensing.....	11
9.	Typical Bridge Connection with Remote Sensing.....	11
10.	Filter Module Location .....	21

**MODEL 136 DC AMPLIFIER  
INSTRUCTION MANUAL  
SECTION 1: GENERAL DESCRIPTION**

**1.1 INTRODUCTION**

ENDEVCO has remained a leader in the vibration measurement field since 1951, and has contributed many firsts in vibration sensor design. These include: the first piezoelectric accelerometer capable of continuous operation from cryogenic temperatures up to +750°F, the first shear design accelerometer and the world's smallest piezoelectric accelerometer. To support a broad family of vibration transducers, ENDEVCO has provided a wide variety of signal conditioners, including the first transistorized charge amplifier, the first computer-programmable charge amplifier and the first airborne vibration monitoring system that is based on a true digital tracking filter.

**SIGNAL CONDITIONERS**

To support the use of its sensors in large scale testing, ENDEVCO has developed several generations of signal conditioner systems. Until recently, a state-of-the-art vibration laboratory set up consisted of a rack of manually controlled signal conditioners. These signal conditioners have manually controlled switches and knobs, to set full scale ranges, sensitivity and filter corners and the set up information is recorded by hand.

**COMPUTER CONTROLLED SIGNAL CONDITIONERS**

To eliminate the risk of incorrect amplifier settings, ENDEVCO has pioneered the concept of computer controlled signal conditioners. The first generation was the Multi-channel Amplifier Control system (MAC). The second generation was the Computer Controlled Amplifier Systems (CCAS). The CCAS family consists of five different systems that use the same rack and digital interface assemblies with different analog boards. These units receive their setup commands over an IEEE-488 interface bus from a computer/controller, so that tests can be pre-programmed. In addition, these units provide comprehensive self-test and self-calibration capabilities, which greatly improves the reliability of the test data. User feedback is indicated that these units pay for themselves quickly by shortening test cycles, preventing retests and eliminating over-testing.

**MANUAL/COMPUTER CONTROLLED SIGNAL CONDITIONERS**

The experience gained in the first two generations of computer controlled amplifiers has now been applied to a third generation product line: the programmable bridge conditioner and the programmable laboratory signal conditioner. These units are independently controlled and each unit contains its own power supplies for single channel integrity.

The Model 136, has both manual and computer programmable features. This DC Amplifier is an example of Endevco's commitment to improving the state-of-the-art in sensory measurements. The new generation is smaller with more features and will continue to be expanded to meet an ever widening range of application requirements.

# MODEL 136 DC AMPLIFIER INSTRUCTION MANUAL

## 1.2 DESCRIPTION

The ENDEVCO® Model 136 DC Amplifier is a three-channel signal conditioner designed for use with Piezoresistive (PR) accelerometers, Variable Capacitance (VC) accelerometers, and pressure transducers. The unit provides an AC output voltage proportional to the voltage input, and is designed to be powered by 90-240 VAC {with a 9-18 VDC option also available (136-1)}.

The Endevco Model 136 has a fixed 10 Hz 4-pole Butterworth high-pass filter that can be selected or bypassed. It has a plug-in 4-pole low pass filter whose corner can be set by an internal header module, which offers multiple corner frequencies. {See Section 2.4.15 Filter Options and Installation and Appendix 1, (Endevco Model 31875-XXXX-O)}.

Figure 4 shows a detailed circuit block diagram for the unit.

Filter options are available to meet the filter corner requirements for J211 and ISO6487. The specific filter corners available are: 300 Hz and 1,650 Hz. {See Section 2.4.15 Filter Options and Installation and Appendix 1, (Endevco Model 31875-XXXX-O)}.

Up to three (3) Model 136 units can be installed in a 19" rack using ENDEVCO Model 31979 Rack Mounting Kit.

## 1.3 FUNCTIONAL CHARACTERISTICS

The Endevco Model 136 can be manually programmed from the front panel (Figure 1) by means of a "Select Channel" push-button, three (3) "Channel LEDs", a "Select Function" push-button, seven (7) "Function LEDs" indicating which function has been selected by the "Select Function" push-button (referred to in this document as the "function LEDs"), a four (4) character LED display to show the state of each function, four (4) "EDIT" push-buttons to change the entries in the LED display, and three (3) LEDs indicating if there are any faults in any of the channels (referred to in this document as the "Fault LEDs").

The unit has two modes of operation: (1) Normal and (2) Query/Programming. In the Normal mode of operation, the unit can be in (a) Monitoring State, or (b) No-Monitoring State. While in the Normal mode of operation, the selected state will apply to all three channels simultaneously.

The unit will store the settings for all of the functions in its internal memory and at power-up it will automatically restore the settings from the last session.

## 1.4 KEY FEATURES

The following are some of the highlight features:

- Three-channel DC Differential Voltage Amplifier
- 100 kHz Bandwidth (-3dB corner)
- 10 Volt Full Scale Output
- Auto-Zero and Shunt Calibration
- Four Selectable Excitation Voltage Levels
- Gain range from 0 to 1000
- RS-232 Serial Interface
- Optional Low Pass filter corners available (standard default filter is a 10 kHz Butterworth)
- Filter Options Available for J211 and ISO6487 Requirements

**MODEL 136 DC AMPLIFIER  
INSTRUCTION MANUAL**

**SECTION 2:**

**INSTALLATION, FRONT AND REAR PANEL DESCRIPTION AND OPERATION**

**2.1 INSTALLATION**

**2.1.1 UNPACKING**

The Endevco Model 136 DC Amplifier is shipped along with its instruction manual in one package. Carefully unpack and check all items for shipping damage. Report any obvious damage to the carrier immediately. If the shipping container or cushioning material is damaged, it should be kept until the contents of the shipment have been checked mechanically and electrically. In any case, save the original packing materials for future shipments of the hardware. Check each item of the shipment against the packing list. Notify Endevco of any discrepancy.

The equipment has been inspected and tested at the factory and is ready for operation when received.

Unpack the Model 136 and set it on a level, firmly supported surface. Verify that all standard and ordered optional accessories are included.

**2.1.2 FILTER MODULE INSTALLATION OR REPLACEMENT**

For filter module installation or replacement, see Section 2.4.15 of this manual.

**2.1.3 POWERING ON THE UNIT**

For AC input power, install the EW599 power cord into the rear power connection of the Model 136. (See Figure 2, Rear Panel, AC input power.)

For optional DC input power (Model 136-1), install the +9 to +18 VDC input power source into the DC input power connector, located on the rear of the Model 136-1. (See Figure 3, Rear Panel, DC input power.)

**2.1.4 KEY PARAMETERS**

The standard unit has an AC input voltage requirement from 90 to 264 VAC, 50 to 60 Hz (Universal Input). No jumpers or changes to the unit's power supply are required for input power meeting this requirement.

The Model 136 "-1" option is a DC powered version that accepts an input voltage range from +9 to +18 VDC.

Power dissipation for either the standard or -1 version is 9 watts typical.

**1. Physical Characteristics**

Dimensions 5.57" x 2.52" x 12"

Weight 4 lbs typical

Case Material Black Aluminum Cover, Medium Gray Plastic Bezel

Current 1 Amp maximum

**MODEL 136 DC AMPLIFIER  
INSTRUCTION MANUAL**

**2.2 FRONT PANEL DESCRIPTION**

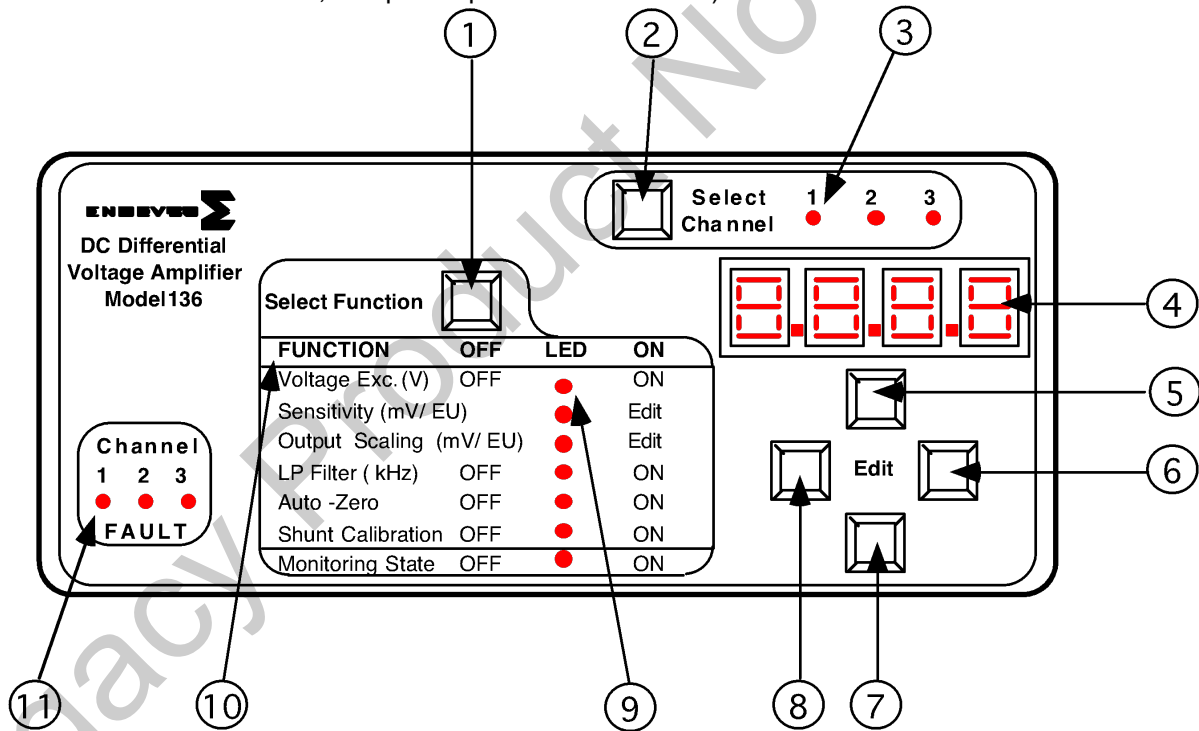
Shown in Figure 1 is the Model 136 front panel. The front panel is a Mylar overlay, adhesively attached to the front panel aluminum plate. The Mylar overlay has cutouts for the six push buttons, and clear windows for 13 LED's and the 4-digit panel meter. Each push button and LED are described as follows:

Figure 1 Item 1, is the "Select Function" push button that controls the functions listed below it. Pressing the Select Function push button scrolls through the LED's. The function selected can be modified while the LED is flashing, located to the right of the associated function.

Figure 1 Item 2, is the "Select Channel" push button. Pressing this push button sequentially selects channels one to three, which is used for set up and display of data on the digital panel meter. The appropriate channel's LED remains illuminated until a different channel is selected.

Figure 1 Item 3, is the LED for channel one of the three channel unit. The LED illuminated corresponds to the channel that is actively being set up or data displayed on the DPM.

Figure 1 Item 4, is the digital panel meter (DPM). The DPM displays alpha-numerics for the appropriate "Select Channel" selected and is used to display the channel set up and for actual data display. The DPM has an accuracy of  $\pm 10\%$ . (See Section 2.4, Operation and sub-sections contained, for specific push button abilities.)



**Figure 1**

Figure 1 Items 5, 6, 7, and 8 correspond, respectively to the "Up", "Right", "Down" and "Left" Edit push buttons. These push buttons are used to change the entries on the digital panel meter and are used in conjunction with the appropriate "Select Function" parameter to be programmed. (See Section 2.4, Operation and sub-sections contained, for specific push button abilities.)

## MODEL 136 DC AMPLIFIER INSTRUCTION MANUAL

Figure 1 Item 9, is one of seven Function parameters LED's that is selectable/programmable. The flashing LED identifies the function that is actively capable of being set up or modified at that time.

Figure 1 Item 10, is a list of "Functions" that are programmable for each channel, which are selected by the "Select Function" push button and are set up or modified with the four "Edit" push buttons.

Figure 1 Item 11, are the "Fault" LED's. The illuminated LED indicates that particular channel is in the ISOTRON mode, the current excitation is on and there exists a short or open circuit for the input.

### 2.3 REAR PANEL DESCRIPTION

Shown in Figure 2 is the rear view of the Model 136.

Figure 2 Item 1, is the standard AC input power connector. The supplied Endeveco power cable, PN EW599, is connected to this connector. (Note: The acceptable input power is 90 to 264 VAC, 50/60 Hz. No jumpers or adjustment is required for input voltages within this range. The unit does not have an on/off power switch.)

Figure 2 Item 2, is a standard BNC connector used for the output from each channel.

Figure 2 Item 3, is a blocked-off area for a single channel, depicted is channel 3. The channels correspond to the front panel channels 1, 2, and 3.

Figure 2 Item 4, is the input connector. This is a standard 9-pin "D" Female connector.

Figure 2 Item 5, is the RJ-11 Modular Jack, Front View. (Please see Figures 5, 6 and Section 2.4.7. for the RS-232 information.)

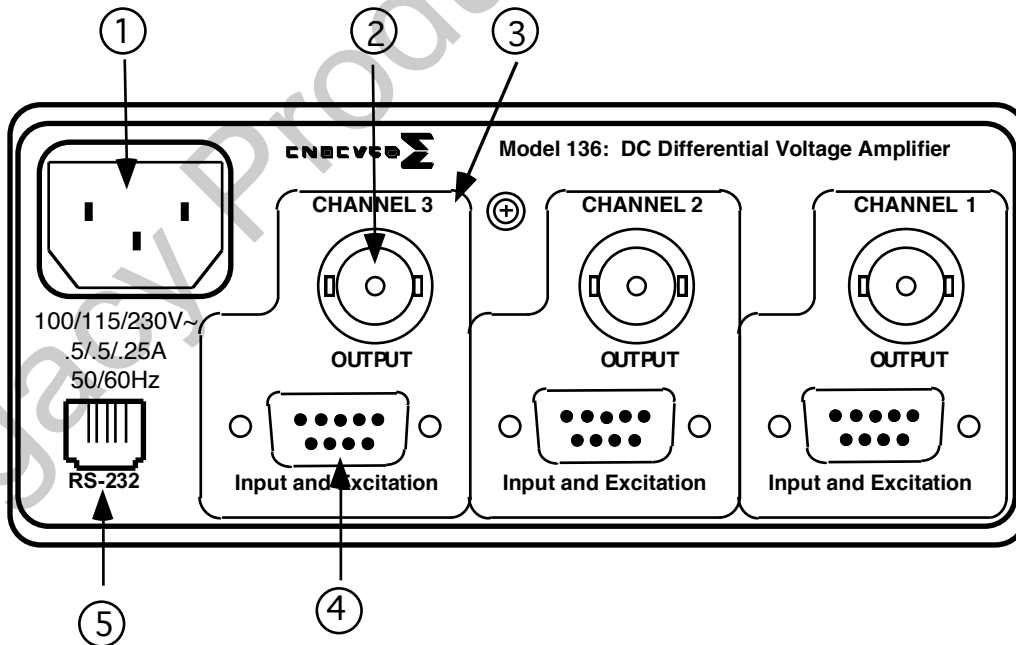
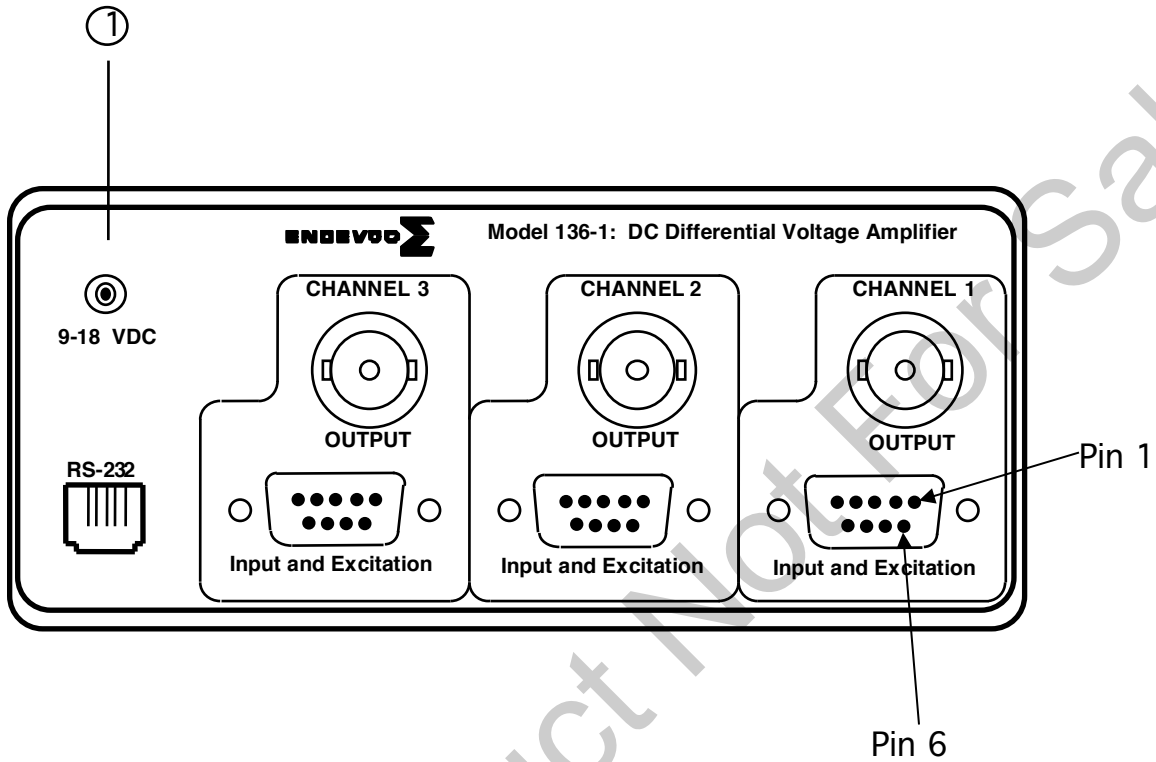


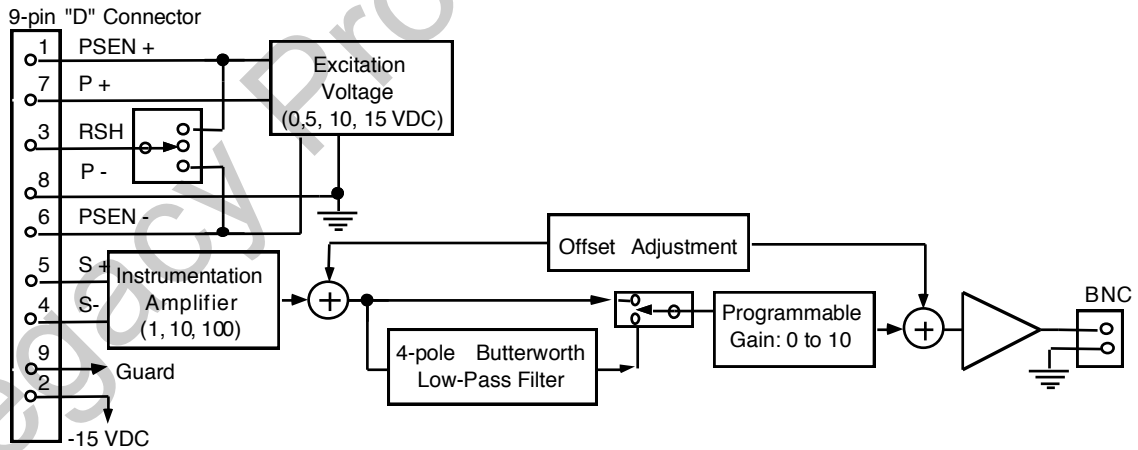
Figure 2

## MODEL 136 DC AMPLIFIER INSTRUCTION MANUAL

Figure 3 is the optional Model 136-1 rear panel view. Item 1 is the DC input power connector. The input power requirements are: 9 to 18 volts DC and a maximum current of 1 amp. The input connector is a 760 Plug style.



**Figure 3**



**Figure 4**

Figure 4 is the Model 136 block diagram.



MODEL 136 DC AMPLIFIER  
INSTRUCTION MANUAL

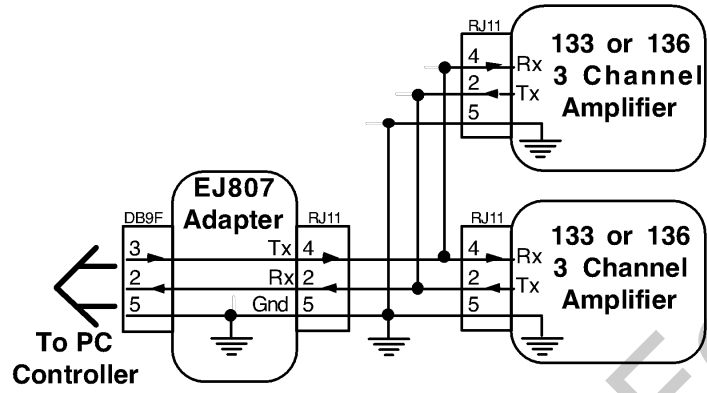
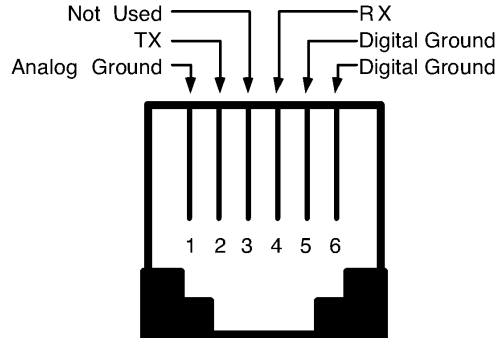


Figure 5

Figure 5 is the block diagram for the RJ-11 RS-232 computer control connector.

**MODEL 136 DC AMPLIFIER  
INSTRUCTION MANUAL**

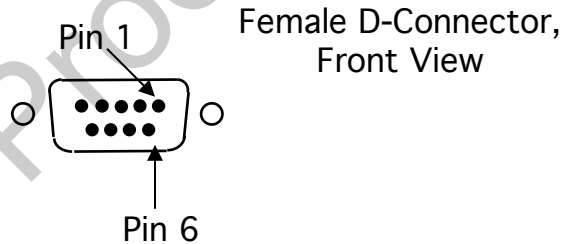


**Figure 6**

Figure 6 is the RJ-11, Modular Jack, Front View RS-232

**RJ11 Pin Assignment:**

- Pin 1: Analog Ground
- Pin 2: TX (connects to RX in computer)
- Pin 3: Not Used
- Pin 4: RX (connects to TX in computer)
- Pin 5: Digital Ground
- Pin 6: Digital Ground



**Figure 7**

**9 Pin "D" Input Connector Pin Assignment**

<u>P/N</u>	<u>Description</u>
Pin 1:	Psen+ Excitation Sense
Pin 2:	-15 VDC
Pin 3:	Shunt Cal (RSH)
Pin 4:	S- Sensor Input
Pin 5:	S+ Sensor Input
Pin 6:	Psen- Excitation Sense
Pin 7:	P+ Excitation Voltage
Pin 8:	P- Excitation Voltage
Pin 9:	Guard/Shield

**MODEL 136 DC AMPLIFIER  
INSTRUCTION MANUAL**

**WARNING OF POSSIBLE CATASTROPHIC DAMAGE TO SENSORS**

Up to 24 VDC may be temporarily present on the excitation lines (P+: pin 7, and P-: pin 8) during the first 12 seconds after applying power to the unit. To avoid this, the excitation sense lines (PSEN+: pin 1, PSEN-: pin 6) must be connected as shown in figure 8. This temporary high voltage may damage the sensor connected to the input of the unit.

The Model 136 is designed to restore the last excitation voltage programmed into it at power-up. Sensors could be damaged if the unit was previously set to an excitation voltage (i.e. 15 V) that is higher than the maximum excitation voltage rating for the sensor.

If the user is not sure what excitation voltage was last selected, the Model 136 should be powered-up and the excitation voltage verified prior to connecting a sensor to the unit.

Legacy Product Not For Sale

MODEL 136 DC AMPLIFIER  
INSTRUCTION MANUAL

Model 136  
9 pin "D" Connector

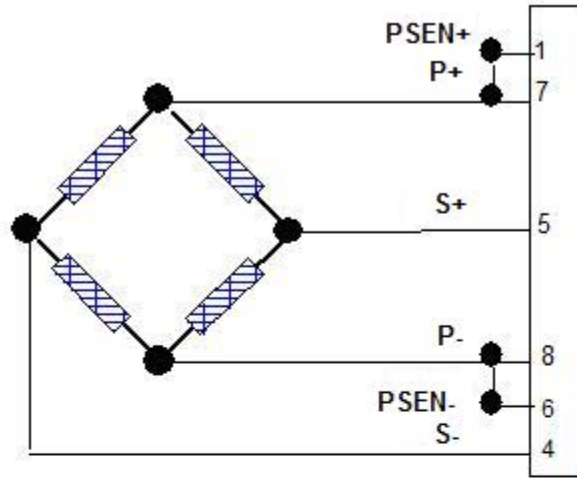


Figure 8

Typical Bridge Connection without remote sensing

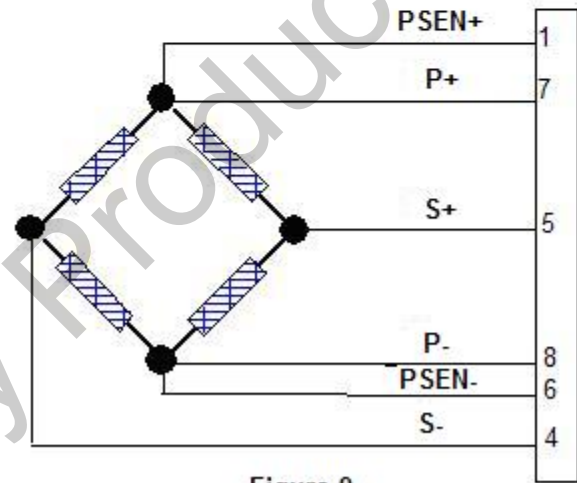


Figure 9

Typical Bridge Connection with remote excitation sensing

## MODEL 136 DC AMPLIFIER INSTRUCTION MANUAL

### 2.4 OPERATION

The Endevco Model 136 can be manually programmed from the front panel (See Figure 1) by means of a "Select Channel" push-button, three (3) "Channel LEDs", a "Select Function" push-button, seven (7) "Function LEDs" indicating which function has been selected by the "Select Function" push-button (referred in this document as the "function LED's"), a four (4) character LED display to show the state of each function, four (4) "EDIT" push-buttons to change the entries in the LED display, and three (3) LEDs indicating if there are any faults in any of the channels (referred in this document as the "Fault LED's").

The unit has two modes of operation: (1) Normal and (2) Query/Programming. In the Normal mode of operation, the unit can be in (a) Monitoring State, or (b) No-Monitoring State. While in the Normal mode of operation, the selected state will apply to all three channels simultaneously.

The unit will store the settings for all of the function in its internal memory and at power-up it will automatically restore the settings from the last session.

#### 2.4.1 Channel Selection

The user selects which channel is being programmed by pressing the "Select Channel" push-button. Each press of the "Select Channel" push-button will sequentially turn-on one of the 3 "Channel LED's" located to the right of the "Select Channel" push-button indicating the channel number selected for programming.

The unit will remain in the selected mode/state of operation (normal or query/programming) while pressing the "Select Channel" push-button.

#### 2.4.2 Normal Mode

##### 1. Monitoring State

In the Monitoring state of operation the unit takes an RMS reading of the signal present at the output of the selected channel every 500 mSec and displays the value on the LED display in Engineering Units (EU: the physical variable in RMS being measured by the transducer) or V out in RMS. This state is activated by selecting either the "EU" or "V out" entry in the "Monitor" Function selection.

Pressing the "Select Channel" push-button while in the Monitoring state allows the user to quickly view (sequentially) the signal levels at the output of each channel.

##### 2. No-Monitoring State

The No-Monitoring state allows for low noise operation. This is accomplished by not taking A/D readings from the outputs, and by placing the CPU in idle mode in order to minimize power consumption and digital noise in the unit. The LED display will be turned OFF. This state is activated by selecting the "OFF" entry in the "Monitor" Function selection.

**MODEL 136 DC AMPLIFIER  
INSTRUCTION MANUAL**

**2.4.3 Query/Programming Mode**

The Query/Programming Mode allows for manual programmability and querying of the programmable functions. This Mode is activated by pressing the “Select Function” push-button.

A function is queried by selecting it using the “Select Function” push-button. The current setting for the selected function will be displayed on the LED display. The entry in the LED display is edited by using the four EDIT push-buttons (located just below the LED display.)

The new setting will be implemented into the unit hardware as soon as the entry shown on the LED display is modified. The unit returns to the Normal mode of operation after 20 seconds of inactivity (no push-buttons pressed) or after pressing the “Select Function” push-button while the “Monitoring State” function LED is flashing.

**2.4.4 Function Selection**

The user selects which function is being programmed by pressing the “Select Function” push-button. Each press of the “Select Function” push-button will sequentially make one of the “Function LEDs” blink indicating the function is selected for programming.

The first press of the “Select Function” push-button selects the function LED that was selected the last time that the unit was in Query/Programming Mode. The selected Function LED will be blinking and the current setting will be displayed on the LED display. Each additional press of the “Select Function” push-button selects the next function (corresponding Function LED blinking) and the corresponding setting is displayed on the LED display. Pressing the “Select Function” push-button while the “Monitoring State” function LED is flashing puts the unit immediately back into Normal mode.

The following functions can be selected for programming: (1) Excitation Voltage, (2) Sensor Sensitivity, (3) Output Scaling, (4) Low Pass Filter, (5) Auto-Zero, (6) Shunt Calibration, and (7) Monitoring State.

When the function is selected, the corresponding “Function LED” will stay blinking until the “Select Function” push-button is pressed again to select the next function. The LED display will show the current setting for the selected function. The EDIT keys can then be used to change the setting. If no buttons are pressed after 20 seconds, then the “Function LED” will stop blinking and the unit will return to the normal mode of operation (monitoring or non-monitoring state).

Each “Function LED” will remain OFF or ON during the normal mode of operation (and also immediately after selecting the next function) depending on the setting selected by the user for the corresponding function.

The user can select a function, and then use the “Select Channel” push-button to view/edit the current setting for the selected function for each channel.

**MODEL 136 DC AMPLIFIER  
INSTRUCTION MANUAL**

**2.4.5 Excitation Voltage**

This function is used to enable/disable the excitation voltage and also to set the amplitude of the excitation voltage. The up-down EDIT keys are used to select the input type. The following messages will be shown sequentially on the LED display each time the up-down EDIT keys are pressed: (1) "0.00", (2) "5.00", (3) "10.00", and (4) "15.00".

1. "0.00": Set excitation voltage level to 0 VDC.
2. "5.00": Set excitation voltage level to 5 VDC.
3. "10.00": Set excitation voltage level to 10 VDC.
4. "15.00": Set excitation voltage level to 15 VDC.

The excitation will be set to the desired voltage level after the "Select Function" key is pressed or after the unit returns to the normal mode of operation.

Note: Selected excitation voltage is applied to all three channels (i.e. excitation cannot be independently selected for each channel).

The "Function LED" corresponding to the Excitation Voltage function will remain OFF during the normal mode of operation if the user selected the "0 VDC" setting (excitation disabled). The function LED will remain ON if the Excitation Voltage was enabled by selecting any of the other settings.

**2.4.6 Sensor Sensitivity**

This function selection provides for programming the sensitivity of the transducer (in mV/EU). The Endevco Model 136 uses this information to determine the gain needed to achieve the required output scaling. The left-right EDIT keys select the number position in the LED display, and the up-down EDIT keys increment or decrement the selected number.

The user can enter four (4) significant digits ranging from 0.001 to 9999.

**2.4.7 Output Scaling**

This function selection provides for programming the desired scaling of the amplifier's output (in mV/EU). The left-right EDIT keys select the number position in the LED display, and the up-down EDIT keys increment or decrement the selected number. The Endevco Model 136 determines the gain needed to achieve the required output scaling by using the following equation:

$$\text{Amplifier's Gain} = \frac{\text{Output Scaling}}{\text{Sensor Sensitivity}}$$

The entry in Output Scaling depends on the Sensor Sensitivity setting and it will automatically change to the lowest or highest limit if the current entry violates the following constraint:

$$0 \leq \frac{\text{Output Scaling}}{\text{Sensor Sensitivity}} \leq 1000$$

The user can enter four significant digits ranging from 0.01 to 9999 limited by the above constraint.

The "Function LED" corresponding to the Output Scaling function will be set to OFF when the unit returns to the normal mode of operation.

## MODEL 136 DC AMPLIFIER INSTRUCTION MANUAL

### 2.4.8 Low Pass Filter

This function selection provides for enabling or disabling the built-in 4-pole Butterworth Low Pass filter (set by header module 31875). The following messages will be shown sequentially on the LED display each time the up-down EDIT keys are pressed: (1) "OFF", and (2) "XX.XX".

1. "OFF": Low-pass filter disabled.
2. "XX.XX": Low-pass filter enabled. XX.XX represents the corner frequency in kHz.

The "Function LED" corresponding to the Low-Pass Filter function will remain OFF during the normal mode of operation if the user selected the "OFF" setting (filter disabled). The function LED will remain ON if the low-pass filter was enabled by selecting the "XX.XX" setting. XX.XX could be a value from 0.01 (10 Hz) to 80.00 (80 kHz). The unit displays the actual corner frequency in each channel by reading an ID Voltage (VID) set by the header module that sets the -3dB corner frequency of the low-pass filter. VID ranges from 0 to 2 VDC. The unit uses the table shown in section 10.0 to convert the ID Voltage into the corner frequency (in Hz).

### 2.4.9 Auto-Zero

This function selection provides for auto zeroing the DC output voltage. The following messages will be shown sequentially on the LED display each time the up-down EDIT keys are pressed: (1) "OFF", and (2) "ON".

1. "OFF": The unit sets all of the internal DC offset adjustments to neutral.
2. "On": The unit sets the DC output voltage to zero to within  $\pm 10$  mVDC (zero will depend on the DC voltage imbalance present at the input of the amplifier). If the unit is unable to set the DC output voltage to zero, the setting will revert back to "OFF". This setting will change to "OFF" if Auto-Zero is set to "On" and the user makes a change in any of the following functions: Excitation Voltage, Sensor Sensitivity, Output Scaling, and Low Pass Filter.
3. "Auto": The unit sets the DC output voltage to zero to within  $\pm 10$  mVDC (zero will depend on the DC voltage imbalance present at the input of the amplifier). If the unit is unable to set the DC output voltage to zero, the setting will revert back to "OFF". If Auto-Zero is set to "Auto" and the user makes a change in any of the following functions: Excitation Voltage, Sensor Sensitivity, Output Scaling, and Low Pass Filter, then the unit will first set Auto-Zero to "OFF" before executing the change setting of the function. The setting will be set back to "Auto" after the user presses the "Select Function" key to select the next function.

The "Function LED" corresponding to the Auto-Zero function will remain OFF during the normal mode of operation if the user selected the "OFF" setting. The function LED will remain ON if the Auto-Zero function was set to the "On" or "Auto" setting.

### 2.4.10 Shunt Calibration

This function selection provides for connecting the shunt calibration resistor installed in the input connector to either the positive (PSEN+) or negative (PSEN-) terminals. The choices are:

1. "OFF": The shunt calibration resistor is disconnected from the sensor.
2. "RSH+": The shunt calibration resistor is connected to the PSEN+ line.
3. "RSH-": The shunt calibration resistor is connected to the PSEN- line.

The "Function LED" corresponding to the Shunt Calibration function will remain OFF during the normal mode of operation if the user selected the "OFF" setting. The function LED will remain ON if the Shunt Calibration was enabled by selecting any of the other settings.



**MODEL 136 DC AMPLIFIER  
INSTRUCTION MANUAL**

**2.4.11 Monitoring State**

This function selection provides for programming the desired state of the amplifier while in the normal mode of operation (described in 2.2 and 2.3 above). The following messages will be shown sequentially on the LED display each time the up-down EDIT keys are pressed: (1) "EU", (2) "Vout" and (3) "OFF".

1. "EU": RMS voltage at Vout is monitored and shown on the LED display in EU at the rate of approximately two (2) times per second. The values displayed on the LED display range from 0.000 to 9999. The value shown on the LED display is computed as follows:

$$\text{Display (EU)} = \frac{\text{VRMS at Output}}{\text{Output Scaling}}$$

2. "Vout": RMS voltage at Vout is monitored and shown on the LED display in VRMS at the rate of approximately two (2) times per second. The values displayed on the LED display range from 0.00 to 9.99. The value shown on the LED display is computed as follows:

$$\text{Display (VRMS)} = \text{VRMS at Output}$$

3. "OFF": The LED display will be turned OFF. This setting provides the lowest noise performance.

The "Function LED" corresponding to the Monitor function will remain OFF during the normal mode of operation if the user selected the "OFF" setting. The function LED will remain ON if monitoring was enabled by selecting any of the other settings listed in the table above.

**MODEL 136 DC AMPLIFIER  
INSTRUCTION MANUAL**

**2.4.12 Special Modes**

The special modes are not frequently used and they may be selected by pressing the “Select Function” key while simultaneously pressing a combination of multiple EDIT keys. The unit must be in the normal mode of operation to enter any of the special modes of operation. The table below shows the combination of the EDIT keys that need to be pressed to obtain the desired special mode.

<b>Mode</b>	<b>EDIT keys</b>
1. Addressing	RIGHT
2. Error List	LEFT
3. Reset	UP
4. Store Setup in EEPROM	DOWN
5. Test Display	UP & LEFT
6. Recall Default Setup	DOWN & RIGHT
7. Calibration	LEFT & RIGHT
8. Troubleshooting	UP & DOWN
9. Not Assigned	UP & RIGHT
10. Not Assigned	DOWN & LEFT

1. Addressing by RS-232

This special mode selection provides for programming the address of the unit used for computer control through the RS-232 serial communication. The unit’s address applies to all 3 channels (same address regardless of the channel selection).

The unit determines its address at power up by using the following algorithm:

- 1) VID: Address determined by ID voltage set in hardware (see table in section 10.0)
- 2) MEM: Address stored in non-volatile memory
- 3) READ VID
- 4) IF VID = 0 THEN Address = MEM
- 5) IF VID > 0 THEN Address = VID = MEM

This special mode is selected by pressing the “Select Function” key while simultaneously pressing the RIGHT EDIT key. The unit returns to the normal mode of operation (Monitoring or Non-monitoring state) after pressing the “Select Function” key one more time.

When this special mode is selected the first “Function LED” will be blinking and the serial communication baud rate for the unit will be shown on the LED display. The baud rate can be modified by using the EDIT keys. An additional press of the “Select Function” key will make the second “Function LED” blink and the address of the unit will be shown on the LED display. The address can be modified by using the EDIT keys only if VID = 0. The new address will be set and stored into the internal non-volatile memory when the unit returns to the normal mode of operation.

2. Error List

This special mode selection allows the user to retrieve a listing of all of the errors that may be causing the failure LED to be ON.

This special mode is selected by pressing the “Select Function” key while simultaneously pressing the LEFT EDIT key. The unit returns to the normal mode of operation (Monitoring or Non-monitoring state) after pressing the “Select Function” key one more time.

**MODEL 136 DC AMPLIFIER  
INSTRUCTION MANUAL**

After the mode is selected, all of the “Function LEDs” will be OFF and the first error code will be shown on the LED display. The user may scroll through the list by using the UP and DOWN EDIT keys.

3.       Reset

This special mode selection allows the user to reset the unit (equivalent to a power-up initialization).

This special mode is selected by pressing the “Select Function” key while simultaneously pressing the UP EDIT key. The unit returns to the normal mode of operation (Monitoring or Non-monitoring state) immediately after initialization.

4.       Store Setup in EEPROM

This special mode selection allows the user to force the unit to store all of the function settings into non-volatile memory.

This special mode is selected by pressing the “Select Function” key while simultaneously pressing the DOWN EDIT key. The unit returns to the normal mode of operation (Monitoring or Non-monitoring state) immediately after writing all of the function settings into non-volatile memory.

5.       Test Display

This special mode selection allows the user to test the display board by displaying a different pattern on the LED indicators and the LED display every time any one of the front panel buttons is pressed.

This special mode is selected by pressing the “Select Function” key while simultaneously pressing the UP and LEFT EDIT keys. The unit returns to the normal mode of operation (Monitoring or Non-monitoring state) after pressing the “Select Function” key one more time.

6.       Recall Default Setup

This special mode selection allows the user to recall the default function settings.

This special mode is selected by pressing the “Select Function” key while simultaneously pressing the DOWN and RIGHT EDIT keys. The unit returns to the normal mode of operation (Monitoring or Non-monitoring state) immediately after restoring all of the default function settings.

<b>Function</b>	<b>Factory Default Setting</b>
1. Excitation Voltage	0.00 (OFF)
2. Sensor Sensitivity	1.000
3. Output Scaling	1.000
4. Low Pass Filter	XX.XX (ON)
5. Auto-Zero	OFF
6. Shunt Calibration	OFF
7. Monitoring State	Vout

7.       Calibration

This special mode selection allows the user to manually calibrate the unit.

This special mode is selected by pressing the “Select Function” key while simultaneously pressing the LEFT and RIGHT EDIT keys. When this special mode is selected the first “Function LED” will be blinking and the first calibration constant for the selected channel will be shown on the LED display. The settings of all of the functions will be saved in non-volatile memory when entering this mode.

## MODEL 136 DC AMPLIFIER INSTRUCTION MANUAL

The user selects which calibration constant is being set by subsequently pressing the “Select Function” key. Each press of the “Select Function” key will sequentially make one of the “Function LEDs” blink indicating that the calibration constant is selected for programming and the corresponding calibration constant will be shown on the LED display.

Pressing the “Select Function” push-button while the “Monitoring State” function LED is flashing places the unit back into Normal mode. The calibration constants will be stored into the internal non-volatile memory when the unit returns to the normal mode of operation. The settings for all of the functions will be restored using the new calibration constants when the unit returns to the normal mode of operation.

A checksum for the calibration constants is also stored in non-volatile memory. The unit will use this checksum at power up to verify that all calibration constants are good. The unit will declare an error if the checksum test for the calibration constants fails.

A cross-reference table between the calibration constants and the “Function LEDs” is shown below (the gain setting for each calibration constant is also shown):

Function LED	Calibration Constant	Gain
1. Excitation Voltage	k1 for $100 \leq \text{Gain} \leq 1000$	200
2. Sensor Sensitivity	k2 for $10 \leq \text{Gain} < 100$	20
3. Output Scaling	k3 for $0 \leq \text{Gain} < 10$	2
4. Low Pass Filter	(not defined)	2
5. Auto-Zero	(not defined)	2
6. Shunt Calibration	k5 to calib. slope of A/D	1
7. Monitoring State	k6 to calib. offset of A/D	1

### 8. Gain Calibration

Calibration constants k1 through k3 are used to calibrate the gain of the unit. This is accomplished by applying a 300 Hz calibration signal into the Isotron input for k1, k2, and k3 and adjusting the calibration constant displayed on the LED display until the desired output (input signal multiplied by gain) is obtained. The amplitude of the input signal should be set to 30.0 mVRMS for k1, 0.300 VRMS for k2, 3.00 VRMS for k3. (See section 3.4 for the Manual Calibration Procedure.)

### 9. A/D Calibration

Calibration constants k5 and k6 are used to calibrate the Analog to Digital converter of the unit. The unit will determine these constants at power-up. The user can view the values of these constants by selecting Function LED #6 for k5 (slope) or Function LED #7 for k6 (offset).

### 10. Troubleshooting Mode

This special mode selection allows the user to control any digital I/O port for troubleshooting purposes.

This special mode is selected by pressing the “Select Function” key while simultaneously pressing the UP and DOWN EDIT keys. Pressing the “Select Function” push-button while the “Monitoring State” function LED is flashing places the unit back into Normal mode.

## MODEL 136 DC AMPLIFIER INSTRUCTION MANUAL

### 2.4.13 Fault Indication

There are three (3) fault indicators (red LEDs) for each channel located on the front panel. The Fault LED will be ON if the unit was not able to successfully perform an auto-zero. The Fault LED will be set to OFF if the Auto-Zero function is set to OFF or if an auto-zero is successfully accomplished.

### 2.4.14 RS-232 Serial Communication

The unit has a standard RS-232 serial interface available through an RJ-11 connector located on the rear panel (see figure 6).

Figure 5 shows how to connect a computer to control up to 16 136 amplifiers. The following functions can be executed through the serial interface from a controller:

1. Identification of the unit: Model Number (133, 136, etc.), firmware revision, address.
2. Send settings for all of the 7 functions programmable through the front panel.
3. Query settings for all of the 7 functions programmable through the front panel.
4. Send calibration constants. The new calibration constant will take effect immediately and it will be stored into non-volatile memory.
5. Query calibration constants.
6. Query raw and calibrated output RMS data from A/D.
7. Query corner frequency of installed loupes filter.
8. Query error list.
9. Reset the unit.

### 2.4.15 Filter Options and Installation

#### 1. Introduction

The ENDEVCO Model 31875 plug in, Low Pass Filter Modules are optional Butterworth filters designed for use with the Endevco Model 133, PE and ISOTRON Signal Conditioner and Model 136, DC Amplifier. The filters are low-cost designs with sufficient corner frequencies to accommodate most test requirements.

The self-identifying feature allows quick verification of the filter installed in a particular channel for the model 133 or model 136. Each channel will display the filter corner frequency on the LED digital panel meter. Only the filter corner frequency is displayed. The filter type (Butterworth) can only be visually verified by removing the outer cover.

There are 20 corner frequencies available, ranging from 10 Hz to 80 kHz in 1, 2, 4, 6, and 8 steps for each of the three filter types. The 31875 must be specified in the following manner: 31875-XXXX-O. The "XXXX" is the -3 dB corner frequency, determined by multiplying XXXX by 10. If the "XXXX" is left blank, the standard 10 kHz filter is supplied (-1000). The Y indicates the filter type desired, -0 for the Butterworth if the "Y" is left blank the standard Butterworth filter is supplied.

NOTE: The filter options of 400 Hz and 2,000 Hz are not valid frequencies. The 400 Hz filter has been replaced by 300 Hz. The 2,000 Hz option has been replaced by 1,650 Hz. These two lower frequency options are specifically made to comply with the filter corner requirements of J211 and ISO6487.

If no filter is specified at time of order entry, the standard default filter installed is a 10 kHz low pass Butterworth.

See Appendix 1 for the Model 31875 Low Pass filter data sheet and corner frequency selections.

## MODEL 136 DC AMPLIFIER INSTRUCTION MANUAL

### 2. Filter Change/Replacement

Place the model 136 on a level, firmly supported surface. Remove the two front panel screws. Leave the front panel connector connected to the main board. Carefully slide the black cover from the unit.

Reference Figure 8 for the location of the three filter modules. Carefully pry off the metal grounding shield and locate the existing filter module(s) and gently pry it off (as you would an IC in a socket) and store it for future use.

Observing the correct orientation of the new filter module(s), install it in the correct channel location desired. Reinstall the grounding shield.

Ensure the front panel connector is firmly connected and re-assemble the cover and front panel.

**CAUTION:** Ensure that the two front panel mounting screws are not over tightened or cross threaded. The aluminum rail screws mount into soft metal that can easily be damaged. Should the rail become damaged, simply locate a replacement screw of a 1/2 inch longer length and install into the damaged rail. (The screws are 4-40, stainless steel, self-tapping.)

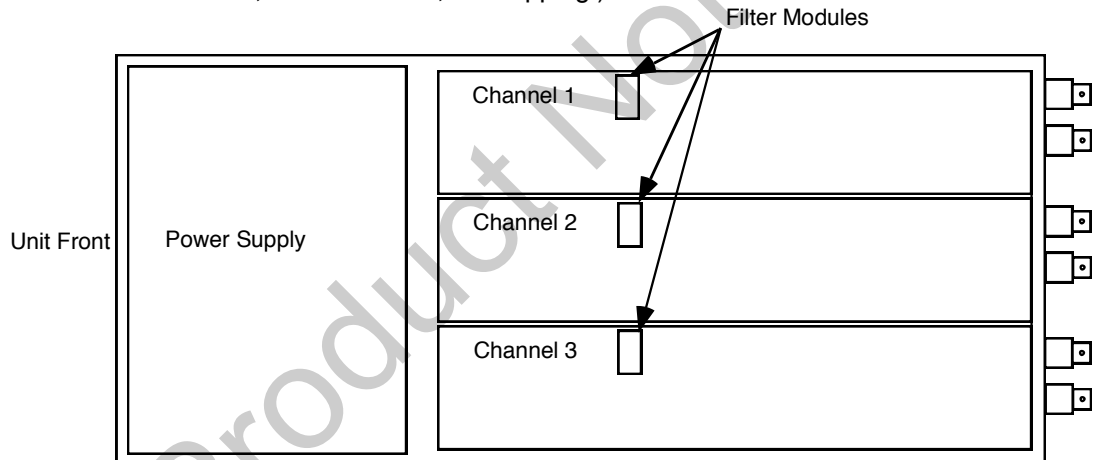


Figure 10

#### 2.4.16 Sample Set Up

The following information is intended for the first time or infrequent user of this amplifier.

- A. Using figure 1 as a reference, perform the following initial setups:
  1. Using the "Select Channel" button, select channel 1. (The LED illuminated is the channel that is being monitored by the DPM.)
  2. Using the "Select Function" button, select the appropriate voltage level for the sensor type used. While the LED is flashing for the Input Select function, press the "Edit" button directly above or below the word "Edit" on the front panel. This will cause the DPM to display either 0, 5, 10 or 15 VDC. Once the appropriate voltage is selected, press the "Select Function" button to save the voltage level and the "Select Function" LED will automatically advance to the next function.

## MODEL 136 DC AMPLIFIER INSTRUCTION MANUAL

3. Press the "Select Function" button to advance to "Sensitivity (mV/EU)". While the LED is flashing, enter the correct sensitivity value of the sensor being used. (This is accomplished with the top and bottom "Edit" buttons to increase or decrease the value. The left and right "Edit" buttons move the significant digit on the DPM to be changed. The actual value must be within the range of 0.001 to 9999.)
4. Press the "Select Function" button to advance to "Output Scaling (mV/EU)". While the LED is flashing, enter in an appropriate value, which must be within the following limits: (The scaling value entered is valid for 0.001 to 9999 along with the following limitation:  $0 = \text{Output Scaling} / \text{Sensor sensitivity} = 1000$ .)

To better understand the correct scaling value to enter, the following questions must be answered:

- a. What is the desired full scale output voltage?
- b. What is the maximum g range to be measured (in g's or EU)?
- c. What is the sensor sensitivity?

### Example 1.

The desired full scale output voltage is 1.0 volt; the desired full scale input range is 2 g's; the sensor sensitivity is entered is 10.04 mV/g. The value to enter for output scaling is: 500.

Therefore, when the output is 1 volt, the input to the unit is equivalent to 2 g's.

### Example 2.

The desired full scale output voltage is 10.0 volts; the desired full scale input range is 5 g's; the sensor sensitivity is entered as 0.95 mV/g. The correct scaling factor is: 2000. The output is equivalent to 2 volts per g. At full scale of 10 volts the output is 5 g's.

5. Press the "Select Function" button to advance to "LP Filter (kHz)". The options are OFF or 10.00 for the standard default 10 kHz filter module.
6. Press the "Select Function" button to advance to "Auto-Zero". The options are ON, OFF or AUTO. Each mode is defined as follows: OFF - all offset adjustments are set to neutral; ON - This sets the DC output voltage to zero within  $\pm 10$  mVDC; AUTO - This mode executes an automatic zero of the DC output Voltage whenever one of the following function are changed: Excitation Voltage, Sensor Sensitivity, Output Scaling and changing of the Low Pass Filter Mode.
7. Press the "Select Function" button to advance to "Shunt Calibration". The choices are: "OFF, RSH or RSH-". Each mode is defined as follows: "OFF" - the shunt calibration resistor is disconnected from the sensor. "RSH" - the shunt calibration resistor is connected to the PSEN+ line. "RSH-" - the shunt calibration resistor is connected to the PSEN- line.
8. Press the "Select Function" button to advance to "Monitoring State". The options are EU, V out or OFF. (Assume V out, which monitors the vibration from the accelerometer and displays the RMS voltage on the DPM.)
9. Connect the PR accelerometer cable to the input connector of channel 1, on the rear of the Model 136. Attach the accelerometer to a known vibration source, such as a shaker, as a means to verify the input vibration level and verify the output with various input g levels.
10. Connect an oscilloscope, or other monitoring devices to visually see the input signal, or reference the DPM on the front of the Model 136.

## MODEL 136 DC AMPLIFIER INSTRUCTION MANUAL

11. Channels two and three are controlled in a similar manner.

### 2.5 RACK MOUNTING KIT

#### A. Description

The optional rack mounting kit, PN 31979, is an optional kit that can be purchased to mount from one to three of the Model 133/136 units (the Model 133 is a three-channel PE/ISOTRON® using the same package as the Model 136). The kit consists of the two blank panels, the front panel mount and the support bracket. The kit is designed to mount to standard 19" rack enclosures.

#### B. Mounting Instructions

To install one or more model 133/136 units, first remove the two front panel screws from the Model 136. Gently remove the plastic frame from the Model 136 front panel (store the panel for future use and for return of the unit to Endevco when required). Hold the Model 136 behind the front panel mount, (the part with three cut-out rectangular holes), gently insert the Model 136's front panel through the correct position to be mounted. Reinstall the Model 136's using the longer 3/4" front panel screws provided in the 31979 Rack Mount Kit, sandwich between the Model 136's front panel and the Model 136's main body. In a similar manner, install the other units. The blank panels are used only when one or two Model 136's are used.



**MODEL 136 DC AMPLIFIER  
INSTRUCTION MANUAL**

**Section 3: ROUTINE MAINTENANCE AND HANDLING**

**3.1 INTRODUCTION**

The Model 136 DC Amplifier is self-contained electronic instrument that requires minimal maintenance.

The Model 136 is designed to require no component-level repair by the user. However, detailed schematics are available upon request.

The only periodic function performed by the user is quality calibration. Any component failures simply require the user to return the unit to Endevco for repair/replacement.

Should a faulty unit be returned to Endevco, it is suggested that the original or equivalent packaging be used. This will reduce damage to the equipment during shipment.

**3.2 FACTORY SERVICE**

**A. FACTORY SERVICE**

Endevco maintains factory service repair for all Endevco instruments. To obtain repair or replacement of a defective instrument, place a call to Endevco to obtain a return material authorization number (RMA), then return the instrument to the factory at the following address:

Endevco  
30700 Rancho Viejo Road  
San Juan Capistrano, CA 92675  
949-493-8181

To return an instrument, please:

1. Ensure proper packaging, preferably the original shipping cartons.
2. Prepay shipping and insurance charges.
3. Attach the Return Material Authorization (RMA) number from Endevco and include any information that may be pertinent to the description of the failure/problem.

**B. WARRANTY**

Endevco warrants each new electronic instrument to be free from defects in material and workmanship. Please refer to the appropriate Warranty Policies for the terms and warranty period. Instruments returned under warranty will be repaired or replaced at no charge, if the failure is due to defective material or workmanship; and the unit is returned within the time period and conditions of Endevco's warranty policy.

**C. OUT-OF-WARRANTY RETURNS**

Enclose a purchase order not to exceed \$300.00, authorizing repair/calibration along with a full explanation of the failure or symptoms observed to help in fixing the problem. The instrument will be repaired/calibrated, returned and invoiced for the actual repair charges. If the instrument cannot be repaired for \$300.00 or less, Endevco will submit a written quotation for the cost of the repair and/or replacement of the unit.

**MODEL 136 DC AMPLIFIER  
INSTRUCTION MANUAL**

**3.3 Ordering Information and Accessories**

ENDEVCO® Model 136 must be specified in the following manner: 136-X

If no filter is specified at time of order entry, the standard default filter installed is a 10 kHz low pass Butterworth.

If X is left blank, the standard 90-240 VAC Power is supplied. If X = 1, then the 9-18 VDC Power is supplied.

Description	Endevco Part No.	Quantity Supplied
Instruction Manual	IM136	1
EC320 AC Power Cord	EW599	1
Resistor Header for 4-pole Low Pass Filter	31875-XXXX-O	0
Serial DB9F to RJ-11 Adapter	EJ807	0
7 ft. 6P4C Cable with RJ-11 Modular Plugs, Straight Pinning	EW1027	0
12 VDC Power Supply, 26 Watts	EHM1413	0
Auto Lighter to 760 Plug Cord Assembly (136-1 only)	EHM1409	1
9-pin "D" Mating Connector Kit	29719-2	0
Rack Mount Kit	31979	0
Application Software	35933	0
Inline Coupler, RJ11 (6 x 4)	EJ847	0
Cable, 6P4C, Straight, w/RJ11 (2 ft.)	EW1077	0
Modular Splitter Adapter M-F (6 x 4)	EJ822	0

## MODEL 136 DC AMPLIFIER INSTRUCTION MANUAL

### 3.4 Manual Calibration Procedure

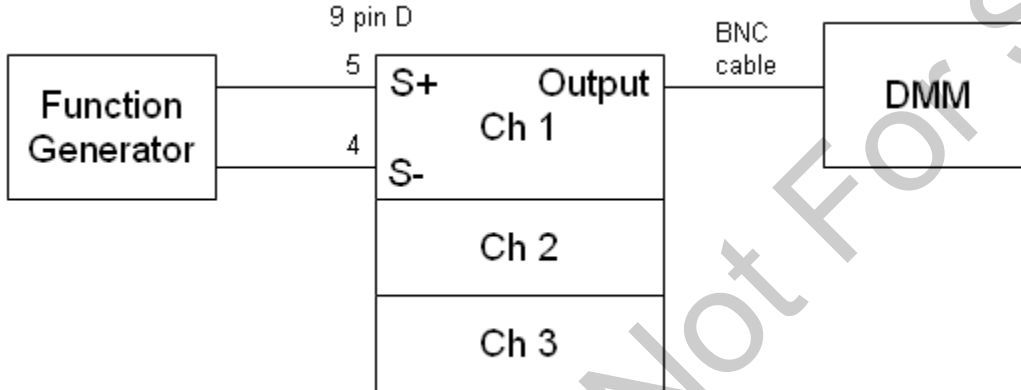
#### Test Setup

Function Generator: Wavetek model 29 or equivalent (used on ATE)

DMM: Keithley 2001 or equivalent (used on ATE)

Input cable: Function generator to 136 input (9-pin female D connector, pin 5: signal+, pin 4: signal-)

BNC cable: 136 output to DMM



#### Channel 1 Cal Constant K1

1. Connect function generator to model 136 channel 1 input using 9-pin male D connector cable.
2. Connect 136 channel 1 output to DMM with a BNC cable.
3. Set DMM: AC, autorange
4. Set Function Generator: 30.0 mVRMS, 300 Hz sinewave
5. Select channel 1 on the 136.
6. Set 136:  
Vexc = 0  
Sens = 1.00  
OS = 200  
LP = Off  
Auto Zero = Off  
Shunt Cal = Off  
Monitoring = Vout
7. If Vout DMM reading is between 5.985 VRMS and 6.015 VRMS (6.0 VRMS +/- 0.25%) then this calibration is complete and skip the remaining steps.
8. Calculate new cal constant:  $\text{New\_Cal\_Const} = 6 \text{ VRMS} / \text{DMM\_Vout} \times \text{Current\_Cal\_Constant}$
9. Enter new K1 cal constant through unit's front panel in cal mode. (Voltage Exc LED)
10. Return to step 7 (If after 3 times, step 7 is out of the limits, try incrementing/decrementing the cal constant. If that does not work for some reason then the calibration has failed.)

**MODEL 136 DC AMPLIFIER  
INSTRUCTION MANUAL**

Channel 1 Cal Constant K2

Repeat the "Channel 1 Cal Constant K1" procedure above with the following changes:

- Set Function Generator: 0.300 VRMS
- Set 136: OS = 20
- Edit K2 (Sensitivity LED)

Channel 1 Cal Constant K3

Repeat the "Channel 1 Cal Constant K1" procedure above with the following changes:

- Set Function Generator: 3.00 VRMS
- Set 136: OS = 2
- Edit K3 (Output Scaling LED)

Channel 2 Cal Constant K1

Repeat the "Channel 1 Cal Constant K1" procedure above with the following changes:

- Move cables at rear of 136 to channel 2
- Select channel 2 on 136

Channel 2 Cal Constant K2

Repeat the "Channel 1 Cal Constant K1" procedure above with the following changes:

- Move cables at rear of 136 to channel 2
- Set Function Generator: 0.300 VRMS
- Select channel 2 on 136
- Set 136: OS = 20
- Edit K2 (Sensitivity LED)

Channel 2 Cal Constant K3

Repeat the "Channel 1 Cal Constant K1" procedure above with the following changes:

- Move cables at rear of 136 to channel 2
- Set Function Generator: 3.00 VRMS
- Select channel 2 on 136
- Set 136: OS = 2
- Edit K3 (Output Scaling LED)

Channel 3 Cal Constant K1

Repeat the "Channel 1 Cal Constant K1" procedure above with the following changes:

- Move cables at rear of 136 to channel 3
- Select channel 3 on 136

**MODEL 136 DC AMPLIFIER  
INSTRUCTION MANUAL**

Channel 3 Cal Constant K2

Repeat the "Channel 1 Cal Constant K1" procedure above with the following changes:

- Move cables at rear of 136 to channel 3
- Set Function Generator: 0.300 VRMS
- Select channel 3 on 136
- Set 136: OS = 20
- Edit K2 (Sensitivity LED)

Channel 3 Cal Constant K3

Repeat the "Channel 1 Cal Constant K1" procedure above with the following changes:

- Move cables at rear of 136 to channel 3
- Set Function Generator: 3.00 VRMS
- Select channel 3 on 136
- Set 136: OS = 2
- Edit K3 (Output Scaling LED)

Legacy Product Not For Sale

MODEL 136 DC AMPLIFIER  
INSTRUCTION MANUAL

SECTION 4:

APPENDIX 1 FILTER MODULE MODEL 31875 DATA SHEET

APPENDIX 1 FILTER MODULE MODEL 31875 DATA SHEET

The choices of Butterworth filter corner frequencies are as follows:

$f_0$ (Hz)	Part number to order
10	31875-0001-0
20	31875-0002-0
40	31875-0004-0
60	31875-0006-0
80	31875-0008-0
100	31875-0010-0
200	31875-0020-0
300	31875-0030-0
600	31875-0060-0
800	31875-0080-0
1000	31875-0100-0
1650	31875-0165-0
4000	31875-0400-0
6000	31875-0600-0
8000	31875-0800-0
10,000	31875-1000-0
20,000	31875-2000-0
40,000	31875-4000-0
60,000	31875-6000-0
80,000	31875-8000-0

**MODEL 136 DC AMPLIFIER  
INSTRUCTION MANUAL  
APPENDIX 2 SERIAL COMMUNICATION**

Communication Protocol - Each transmission is of the form: [Header] [;] [Body]

The Header and Body are separated by a semi-colon and are each made up of several components separated by one space. Square brackets, [], indicate a mandatory component. Curly brackets, {}, indicate a conditional component. The Header is of the form;

[Model/Unit] [space] [Channel] [space] [Command]

The Body is of the form;

{data} [checksum] [Terminator]

Each transmission to a 13x unit will invoke a response of this same form.

Each component of the transmission is decimal integer ASCII text.

Model/Unit (Required) is a two byte value in which the upper byte indicates the model type (0=133, 1=136) and the lower byte indicates a Unit number in the range 1-20. However, commands 0,6 & 8 allow 0 to indicate the command and it's associated data, if any, applies to the specified channel of all units with the identified Model Type.

In Rack mount systems the Unit address of each 3 channel device is determined by the rack. For standalone systems the address is programmable through the front panel. All units will receive all serial transmissions. However, only the unit with the same unit address will respond.

Channel (Required) is in the range 1-3. However, commands 0,2,3,4,5 & 7 allow 0 to indicate the command and it's associated data, if any, applies to all channels.

Command: (Required) is one of the following:

- 0x00 - [Channel x ] {Setup data} {checksum} follows - (13x Receives)
- 0x01 - [Channel x ] {Cal Constant Data}{checksum} follows - (13x Receives)
- 0x02 - [Channel x ] Send {Setup/Status data} - (13x Sends)
- 0x03 - [Channel x ] Send {Calibration Constant Data} - (13x Sends)
- 0x04 - [Channel x ] Send data - (13x Sends)
- 0x05 - [Channel x ] Send Raw data - (13x Sends)
- 0x06 - [Channel x ] Stop Sending data (unit # = 0 indicates all units are to stop)
- 0x07 - [Channel x ] {Data Interval in seconds (0=single shot)}
- 0x08 - Reset Unit (unit # = 0 indicates all units of this model type are to reset)
- 0x09 - Send Unit ID (13x Sends)
- 0x0A - Send LP Corners (13x Sends for all channels)
- 0x0B - Send Error List (13x Sends for all channels)

Data: The Setup Data, Cal Constant Data and Data Interval - commands (0,1&7) require additional information to accompany the command. The format of these data packets is as follows;

Channel Setup Data - This packet consists of 7 items. These items correspond exactly to the 7 items associated with the Programming Mode Function LEDs on the front panel of the 13x units. If the unit number indicated in the transmission header equals zero (0) then data will be applied to all units for the specified channel(s). If the channel number indicated in the transmission header equals zero (0) then data will be applied to all three channels of the addressed unit. The following must be adhered to for proper reception by the 13x units:

**MODEL 136 DC AMPLIFIER  
INSTRUCTION MANUAL**

- 1) The order of these items is fixed. For Model 133 the order is Input Select to Monitoring, for Model 136 the order is Voltage Excitation to Monitoring. For the range of possible settings for each item see the sections below on model specific hardware control.
- 2) Only complete setups are accepted (all 7 items sent even if only 1 changes).
- 3) Each item's setting must be converted to a decimal integer string scaled to accommodate the transmission of floating point values with resolutions to 1/1000. (ie all item settings are multiplied by 1000 and converted to ASCII).
- 4) Each item is separated by 1 space character (0x20)

Channel Calibration Constant Data - This packet consists of 7 items. These items correspond exactly to the 7 items associated with the Function LEDs on the front panel of the 13x units while in Calibration Mode. The specifics of these are detailed in the section specifying Calibration Mode. Their method of transmission is identical to that of the channel setup transmission.

Data Interval - This is an unsigned integer value (16 bits) which represents the number of seconds between data transmissions, calibrated or raw, after either of the 'Send Data' commands is sent to a 13x unit. A value of 0 indicates a single sample of data is requested. The 13x firmware will terminate the Send Data condition after 1 sample of data (per enabled channel) is sent. To accomplish single transmissions easily set the Data Interval to 0 first then send Send Data commands at will. One data sample per Send Data command will be returned with this scenario. The firmware default is 0 - Single Shot mode.

Checksum (Required) A one byte summation of the entire transmission, header and data (if any) without the terminator, is required on all transmissions sent to the 13x.

Terminator (Required) The last item in the transmission, A Line Feed character (0x0A).

Response (Required) The following table illustrates the response to the received command and the error responses;

Command #	Command	13x Response
0x00	Setup to 13x	ACK
0x01	Cal Constants to 13x	ACK
0x02	Setup from 13x	Cmd <data>
0x03	Cal Constants from 13x	Cmd <data>
0x04	Calibrated Vout data	ACK ....Cmd <data>
0x05	Raw Vout data	ACK ....Cmd <data>
0x06	Stop Data	ACK
0x07	Data Interval to 13x	ACK
0x08	Reset Unit	ACK
0x09	Unit ID from 13x	Cmd <data>
0x0A	LP Corners from 13x	Cmd <data>
0x0B	Error List from 13x	Cmd <data>
0x0C	ACK	
	<b>Reason</b>	<b>13x Error Responses</b>
0x0D	Bad CS or Not enough data	NAK
0x0E	Channel # too high	Bad Channel
0x0F	Setup value out of range	Bad Setup
0x10	Hw setup unit reports error	Setup Error
0x11	Setup value out of range	Bad Cal Constant



## MODEL 136 DC AMPLIFIER INSTRUCTION MANUAL

Response Data (conditional): The following sections describe the response of the 13x to commands that require it to send data (all data described below follows a transmission Header identical to that described above).

Channel Setup Data - The data sent in response to the 'Setup from 13x' command (0x02) is identical to the format of the Setup to 13x' command (0x00) described above. If the channel number indicated in the header equals zero (0) then data will be sent for all three channels.

Calibration Constant Data - The data sent in response to the 'Cal Constants from 13x' command (0x03) is identical to the format of the Cal Constants to 13x' command (0x01) described above. If the channel number indicated in the header equals zero (0) then data will be sent for all three channels.

Calibrated Vout Data - The data sent in response to the 'Calibrated Vout Data' command (0x04) will be for the channel indicated in the transmission header. If the channel number equals zero (0) then data will be sent for all three channels. The transmission of data for the indicated channel(s) will continue at the rate specified by the 'Data Interval to 13x' command. The data will be one or three values formatted to be a decimal integer string. To render it back to a floating point number it should first be converted from a string to an integer and then divided by 1000.

NOTE: If the unit is not in the 'Normal' mode of operation at the time it is scheduled to output data remotely, that data transmission will be skipped.

Raw Vout Data - The format of the data sent in response to the 'Raw Vout Data' command (0x05) is identical to the Calibrated Vout Data discussed above.

Unit ID Data - The data sent in response to the 'Unit ID from 13x' command (0x09) is a string which states the Model number and the firmware revision (i.e 133 REV A).

LP Corners Data - This data, sent in response to the 'LP Corners from 13x', command (0x0A) is a three item packet in the Decimal Integer String format which represents the Low Pass Filter corner frequency (in kHz) for each channel. To convert this integer to a floating point number divide by 100. (The internal 13x representation of this data is a 4 character string with an implied decimal point after the 2nd MS digit. This is why the division is by 100 and not 1000 used elsewhere).

Channel Error Data - This data, sent in response to the 'Error List from 13x', command (0x0B) is a three item packet in the Decimal Integer String format which represents the 13x errors on a per channel basis. This data should be converted from the string format to an integer format (no division). The three items are bit maps representing errors for each channel. The bit maps for each model are as follows:

### Model 133

- Bit 0 = 1 = EEPROM Write Error
- Bit 1 = 1 = EEPROM Channel Setup Read Error
- Bit 2 = 1 = EEPROM Calibration Constant Read Error
- Bit 3 = 1 = Function Error
- Bit 4 = 1 = Input Select Error

### Model 136

- Bit 0 = 1 = EEPROM Write Error
- Bit 1 = 1 = EEPROM Channel Setup Read Error
- Bit 2 = 1 = EEPROM Calibration Constant Read Error
- Bit 3 = 1 = Function Error
- Bit 4 = 1 = Auto Zero Error

Transmission Error Responses - In the event of a transmission error or data packet parameter errors one of the following may be sent by the 13x unit.

## MODEL 136 DC AMPLIFIER INSTRUCTION MANUAL

NAK (0x0C) - This response indicates either a bad checksum was calculated or there was not enough data transferred to satisfy the command requirements (i.e. a setup command with less than 7 items).

Bad Channel (0x0D) - This response indicates a channel number greater than 3 was received.

4.2.7.4.8.8.3 Bad Setup (0x0E) - This response indicates a Setup parameter received was out of range.

Setup Error (0x0F) - This response indicates that when a setup was implemented it resulted in an error.

Bad Calibration Constant (0x10) - This response indicates that a calibration constant received was out of range.

Serial Port Communication Parameters - Each unit has two parameters, Baud Rate and Address. These parameters are accessible from the Serial Mode which is entered by holding down the right arrow key and pressing the Function Select key (see the section on Other Modes).

### Model 136 Serial Port Communication Example

ASCII String to send the Receive Unit ID command to a hypothetical Model 136, unit =20, Channel 1, command 9 - Receive Unit ID)

```
276\s1\s9;132
```

Where;

1. ASCII '276' (50,55,54) is the result of the binary operation  $((1 \ll 8) | 20)$ . Where 1=Model 136 and 20 is the unit number (this binary number is then converted to an ASCII string).
2. '\s' is a space (ASCII 32decimal)
3. ASCII '1' (49) is the binary channel # 1 converted to ASCII.
4. '\s' is a space (ASCII 32decimal)
5. ASCII '9' (57) is the binary command # 9 (Receive Unit ID) converted to ASCII.
6. ';' (ASCII 59decimal) is a header separator
7. ASCII '132' is the checksum of the command string. It is an ASCII representation of a binary summation of bytes. A checksum is required for all data sent to the unit. It is calculated as follows;

checksum calculation =  $50+55+54+32+49+32+57+59=388=184\text{hex}$  → checksum = lower byte only  $84\text{hex}=132\text{decimal}$

ASCII String to send the following configuration data to a hypothetical Model 136, unit =1, Channel ALL (0), Command =0 - Send Setup);

Voltage Excitation = 5.0 = 3 (selected from the enumerated type def {0.0,15.0,10.0,5.0})

Sensitivity=2.123 (floating Point value )

Output Scaling =3.456 (floating Point value )

Low Pass Filter = 10.0 = 1 (selected from the enumerated type def {OFF,10.0})

Auto Zero = AUTO = 2 (selected from the enumerated type def {OFF,ON,AUTO})

Shunt Calibration = RSH- = 1 (selected from the enumerated type def {OFF,RSH-,RSH+ })

Monitoring Option = VOUT = 1 (selected from the enumerated type def {OFF,VOUT,EU})

**MODEL 136 DC AMPLIFIER  
INSTRUCTION MANUAL**

ASCII Representation of string;

257\s0\s0;3000\s2123\s3456\s1000\s2000\s1000\s1000\s187

Binary Representation of ASCII string (these are the bytes actually transmitted via rs-232 in decimal);

50,53,55, 32,48,32,48,59,51,48,48,48,32,50,49,50,51,32,51,52,53,54,32,49,48,48,48,32,  
50,48,48,48,32,49,48,48,48,32,49,48,48,48,32,49,53,56,55

Where;

1. ASCII '257' (50,53,55) is the result of the binary operation  $((1 \ll 8) | 1)$ . Where 0=Model 136 and 1 is the unit number (this binary number is then converted to an ASCII string).
2. '\s' is a space (ASCII 32decimal)
3. ASCII '0' (48) is the binary channel # 0 (all channels) converted to ASCII.
4. '\s' is a space (ASCII 32decimal)
5. ASCII '0' (48) is the binary command # 0 (Send Setup) converted to ASCII.
6. ';' (ASCII 59decimal) is a header separator.
7. ASCII '3000' (51,48,48,48) is the Voltage Excitation option 3 (5.0) multiplied by 1000. This multiplication is done to normalize all of the data. Some values are floating point others are integer. All items in the setup are multiplied by 1000 to scale the floats to a fixed point number with the desired resolution.
8. The next 6 items are processed the same as the input select item.
9. ASCII '187' is an ASCII representation of a binary summation of bytes. A checksum is required for all data sent to the unit. It is calculated as shown above.
10. The response to the string will be an ACK (0x0C)

**MODEL 136 DC AMPLIFIER  
INSTRUCTION MANUAL  
APPENDIX 3: OPERATION WITH LOW SENSITIVITY SENSORS**

In cases where very low sensitivity transducers are used, such as high g shock accelerometers, the sensitivity is often specified in microvolts per *g* but the 136 input parameters are limited to millivolts per engineering unit (g. psi, etc.). The user has to either round off the sensitivity, or perform some calculations to enter the precise values. This section covers the procedure for calculating the required output scaling for precise values.

Here are a few things to keep in mind:

- The 136 only recognizes entries in millivolts per engineering unit
- An engineering unit can be *g*'s, PSI, meters/seconds, etc.
- The Input Sensitivity and Output Scaling are determining the gain of the amplifier.

The values below will be entered using the "Select Function" keys on the front panel. If the user is unfamiliar with the use of these keys, refer to Section 2.4.16 of this manual for details.

In the following step-by-step procedure, a model 727-2K piezoresistive accelerometer with a sensitivity of 100 $\mu$ V/g is used as an example. An output voltage (from the 136) of 10 Volts peak (10 000mV) has been selected. A different output voltage may be selected, but 10 Volts peak is a common DAQ input voltage requirement,

Since an accelerometer is used in the example, EU will be equal *g*'s. To simplify the calculation, millivolts per 1,000 *g*'s will be used.

**Step 1: 100 $\mu$ V/g = 0.1mV/g**

**Step 2: Multiply numerator and denominator by 1000 to convert to mV/kg**

$$\frac{1000}{1000} \times \frac{0.1mV}{g} = \frac{100mV}{1kg}$$

**Step 3: Enter 100 as the input sensitivity**

**Step 4: Determine the output scaling (OS):**

OS = desired output volts (mV) FS range in *g*'s

For model 727-2K and 10V FS output selected:

$$OS = 10,000 \text{ mV} / 2kg's = 5,000$$

**Step 5: Select "Output Scaling" and enter 5000 (Note: scaling value has no units associated with it).**