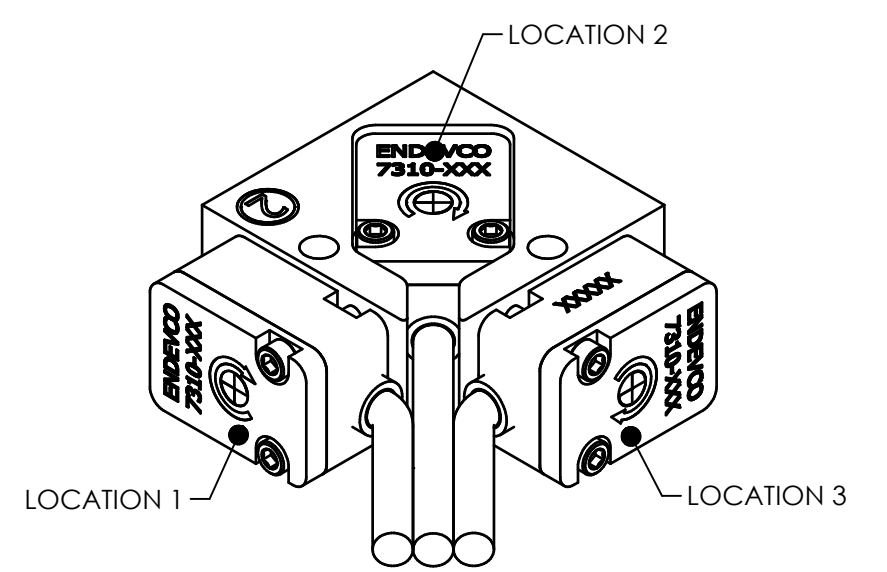
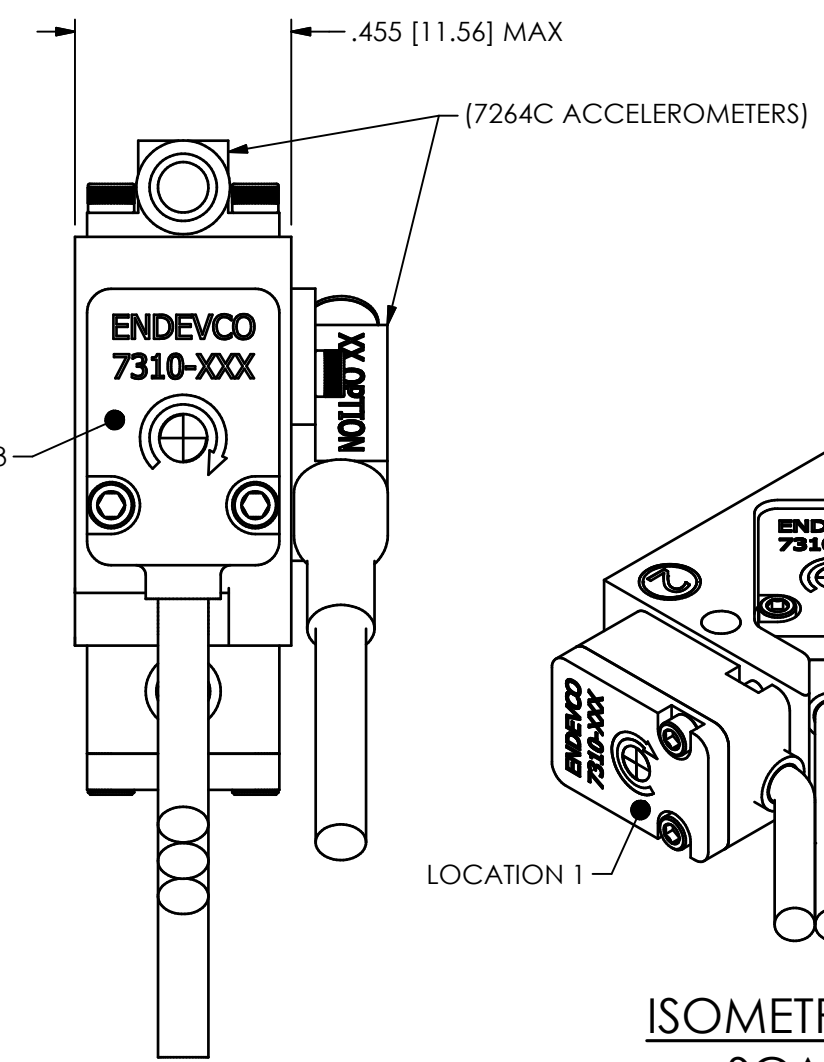
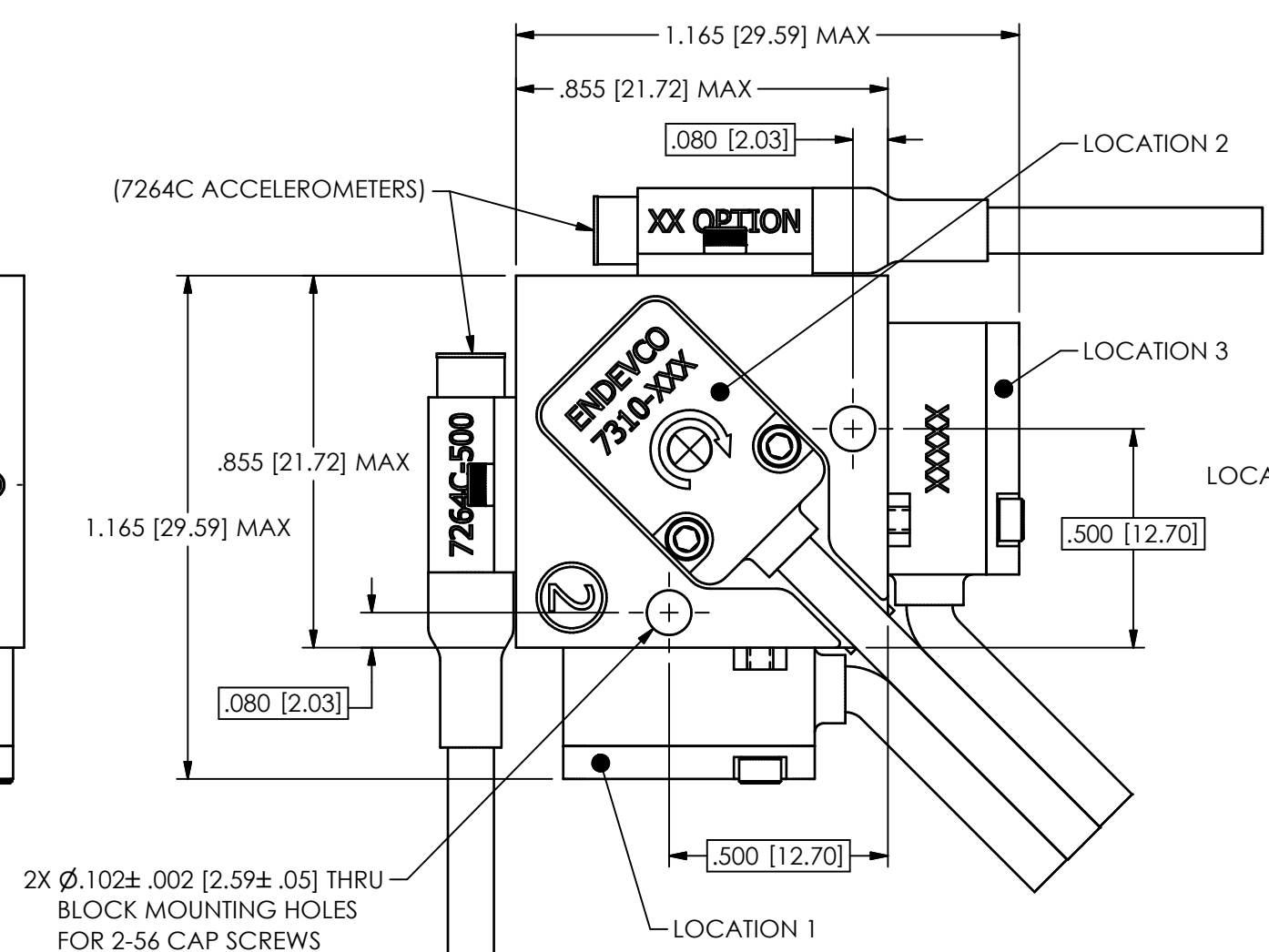
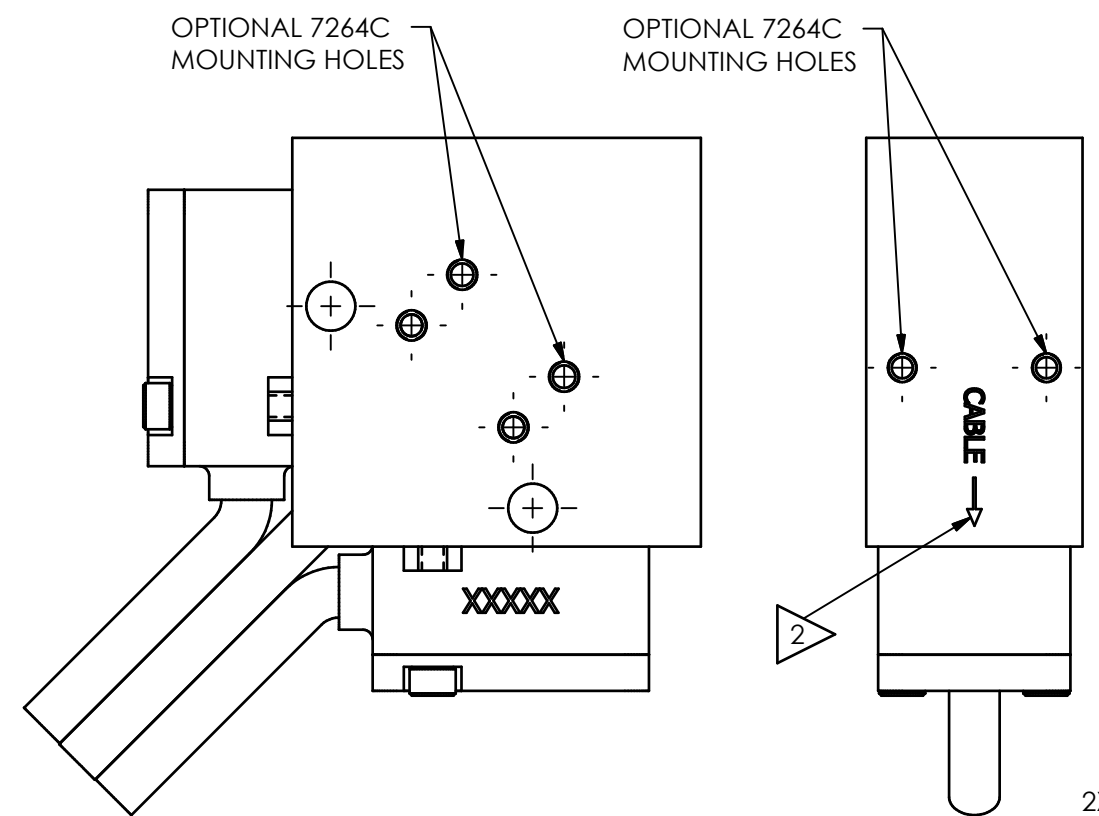
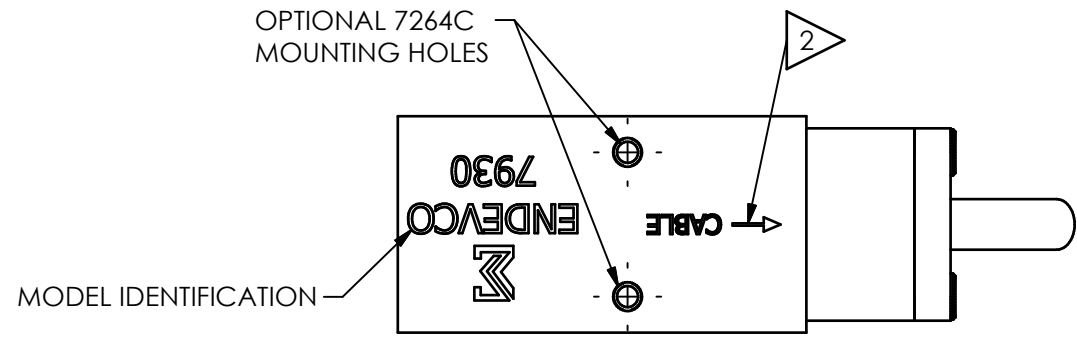


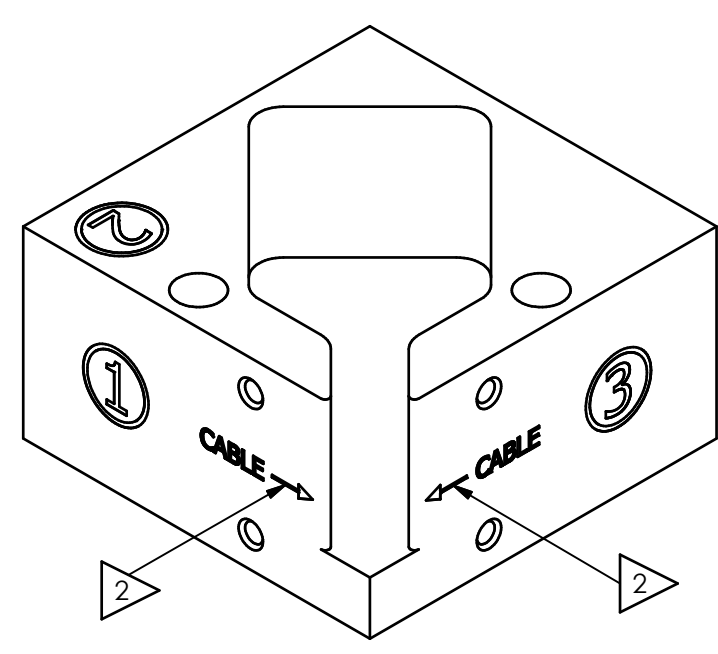
EDVID7930

PCB Piezotronics of NC, Inc. (DBA Endevco) claims proprietary rights in the information disclosed hereon. Neither it nor any reproduction thereof will be disclosed to others without the written consent of PCB Piezotronics of NC, Inc. (DBA Endevco)

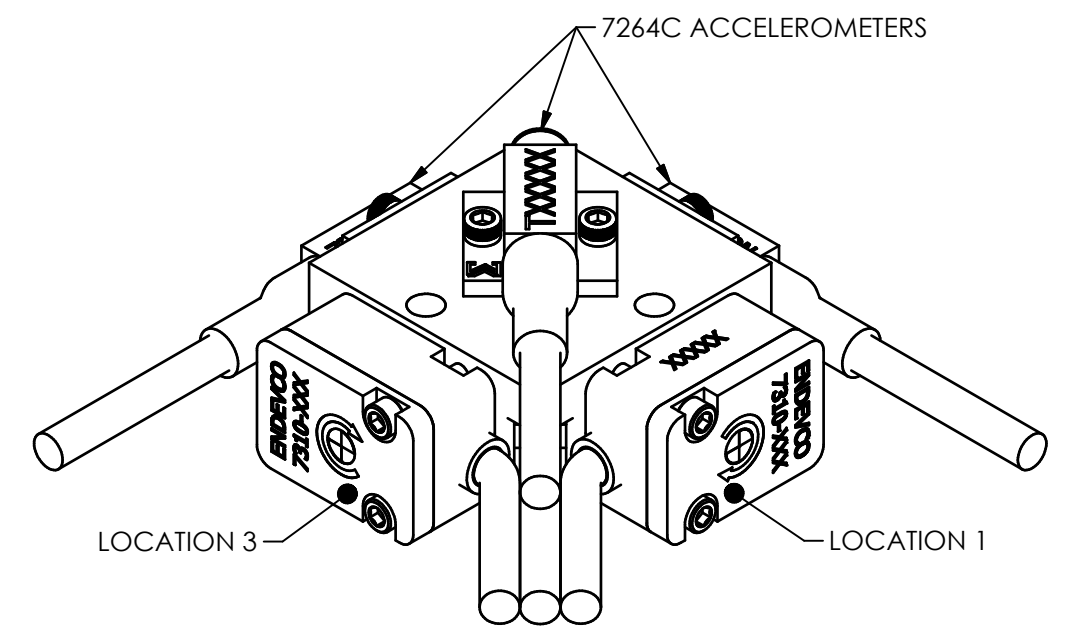
REVISIONS		
REV	DESCRIPTION	DIN
D	UPDATED TO PCB STANDARDS	54650



ISOMETRIC VIEW
SCALE 2X



BLOCK ISOMETRIC VIEW
SCALE 3X



INVERTED ISOMETRIC VIEW
SCALE 2X

2 MARKED ARROWS INDICATE ARROW DIRECTION

1.) MATERIAL: ANODIZED ALUMINUM ALLOY

UNLESS OTHERWISE SPECIFIED TOLERANCES ARE:				DRAWN	CHECKED	ENGINEER
DIMENSIONS IN INCHES		DIMENSIONS IN MILLIMETERS [IN BRACKETS]		NJF	03/20/24	JDM
DECIMALS	XX \pm .03	DECIMALS	X \pm 0.8			HX
	XXX \pm .010		XX \pm 0.25			03/20/24
ANGLES \pm 2 DEGREES		ANGLES \pm 2 DEGREES		TITLE		
CABLE TOLERANCES IN ENGLISH		CABLE TOLERANCES IN METRIC		INSTALLATION DRAWING		
1" \leq LENGTH $<$ 1'	\pm +1' / - 0	2.54cm \leq LENGTH $<$ 30.5cm	\pm +2.54cm / - 0	MODEL 7930		
1' \leq LENGTH $<$ 5'	\pm +2' / - 0	30.5cm \leq LENGTH $<$ 1.5m	\pm +5.1cm / - 0	CODE		
5' \leq LENGTH $<$ 100'	\pm +6' / - 0	1.5m \leq LENGTH $<$ 30.5m	\pm +15.2cm / - 0	IDENT. NO.		
100' \leq LENGTH	\pm +1' / - 0	30.5m \leq LENGTH	\pm +30.5cm / - 0	8DN13		
FILLET'S AND RADI		FILLET'S AND RADI		SCALE: 2.5X		
.003 - .005		0.07 - 0.13		SHEET 1 OF 1		

ENDEVCO
AN AMPHENOL COMPANY
PCB PIEZOTRONICS OF NC, INC. (DBA ENDEVCO)
10869 NC HIGHWAY 903, HALIFAX, NC 27839
CODE DWG. NO.
IDENT. NO. EDVID7930
SCALE: 2.5X SHEET 1 OF 1